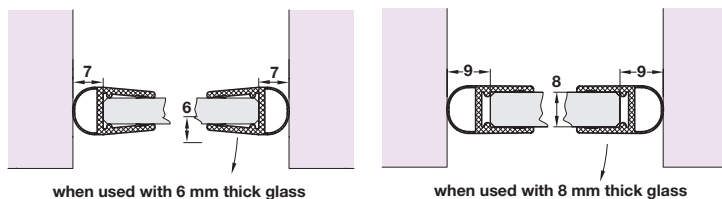


For information on glass preparation, please contact the Architectural Ironmongery department

For mounting and care information, see page 90

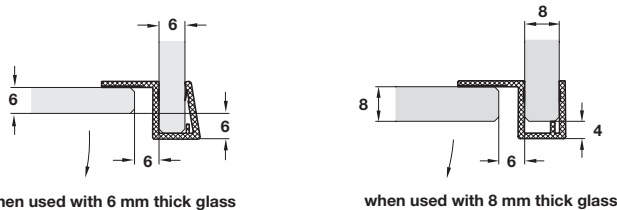


A Bulb seal

- For toughened glass thickness 6 - 8 mm
- Transparent PVC

Cat. No. 950.22.040

Order qty: 1 pc (1 pc = 2010 mm length)

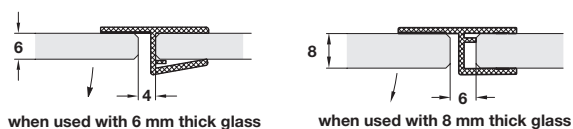


B Door jamb profile

- For toughened glass thickness 6 - 8 mm
- Transparent PVC

Cat. No. 950.22.050

Order qty: 1 pc (1 pc = 2010 mm length)

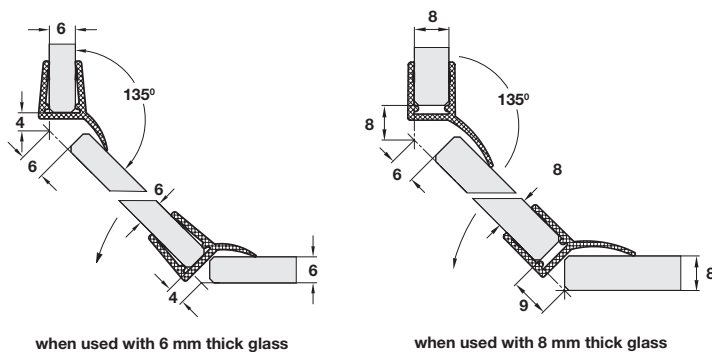


C Door jamb profile

- For toughened glass thickness 6 - 8 mm
- Transparent PVC

Cat. No. 950.22.060

Order qty: 1 pc (1 pc = 2010 mm length)

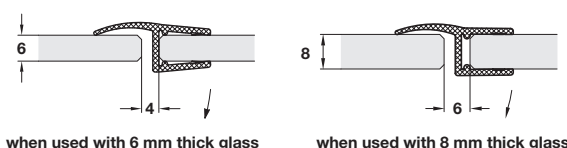


D H-profile

- For toughened glass thickness 6 - 8 mm
- Transparent PVC

Cat. No. 950.22.070

Order qty: 1 pc (1 pc = 2010 mm length)



E H-profile for flush shower door arrangement

- For toughened glass thickness 6 - 8 mm
- Transparent PVC

Cat. No. 950.22.080

Order qty: 1 pc (1 pc = 2010 mm length)

