

For information on glass preparation,  
please contact the Architectural  
Ironmongery department

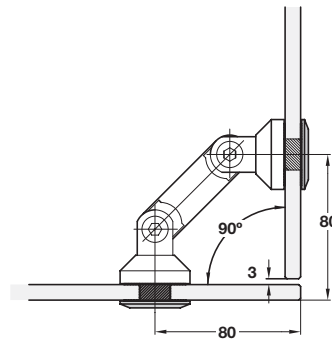
**Item C.**  
Text reverted back  
'Fixing tool will now be included'

**C Glass to glass fixing**

- Fixing tool included
- 60 mm connecting rod
- 304 grade stainless steel

Finish	Cat. No.
Satin stainless steel	981.14.904

Order qty: 1 pc



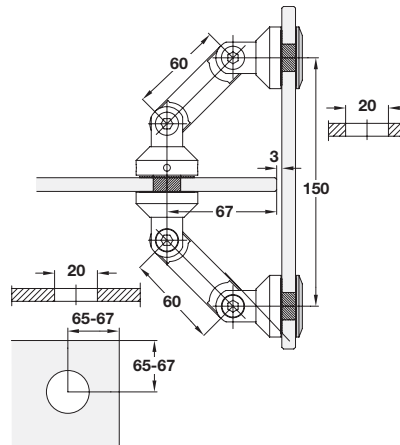
**Item D.**  
Text reverted back  
'Fixing tool will now be included'

**D 3 way glass to glass connector**

- Fixing tool included
- 304 grade stainless steel

Finish	Cat. No.
Satin stainless steel	981.14.906

Order qty: 1 pc



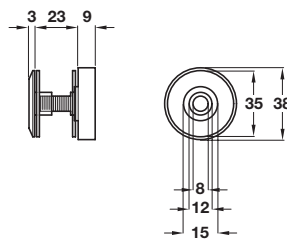
**Item E.**  
Text reverted back  
'Fixing tool will now be included'

**E Point fixing**

- Fixing tool included
- For face fixing glass
- 304 grade stainless steel

Finish	Cat. No.
Satin stainless steel	981.14.910

Order qty: 1 pc



**Point fixing with distance ring**

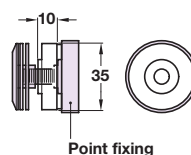


**F Distance ring**

- 8 mm, to pack out item E
- 304 grade stainless steel

Finish	Cat. No.
Satin stainless steel	981.14.912

Order qty: 1 pc



03.02.09/4\*