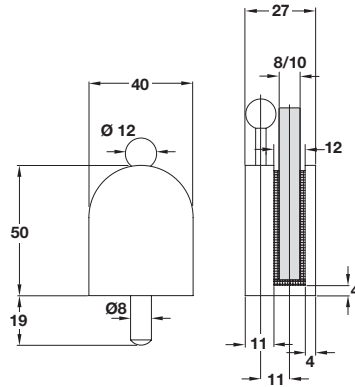


For information on glass preparation,
please contact the Architectural
Ironmongery department



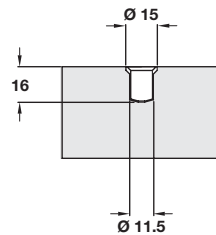
Item A.
Text removed 'Fixings included'
Please note fixings are NOT included

A 'Modulo' glass door locking bolt

- For **8-10 mm** toughened glass
- Max. weight capacity **70 kg**
- Max. panel width **1000 mm**
- Brass
- Socket included, alternative dust excluding sockets are shown in Section 4

Finish	Cat. No.
Satin nickel plated	981.14.626

Order qty: 1 set



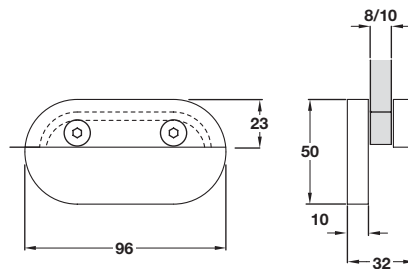
Item B.
Text removed 'Fixings included'
Please note fixings are NOT included

B 'Modulo' stopper

- For a pair of single action doors for glass overpanel mounting
- For **8-10 mm** toughened glass
- Max. weight capacity **70 kg**
- Max. panel width **1000 mm**
- Brass

Finish	Cat. No.
Satin nickel plated	981.14.656

Order qty: 1 set



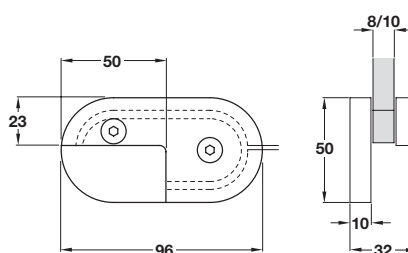
Item C.
Text removed 'Fixings included'
Please note fixings are NOT included

C 'Modulo' single action stopper

- For glass overpanel/mounting side panel
- For **8-10 mm** toughened glass
- Max. weight capacity **70 kg**
- Max. panel width **1000 mm**
- Brass

Finish	Cat. No.
Satin nickel plated	981.14.666

Order qty: 1 set



TCH-AI 2008, HUK. Dimensional data not binding. We reserve the right to alter specifications without notice.

09.12.08/1*