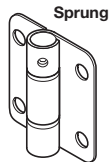
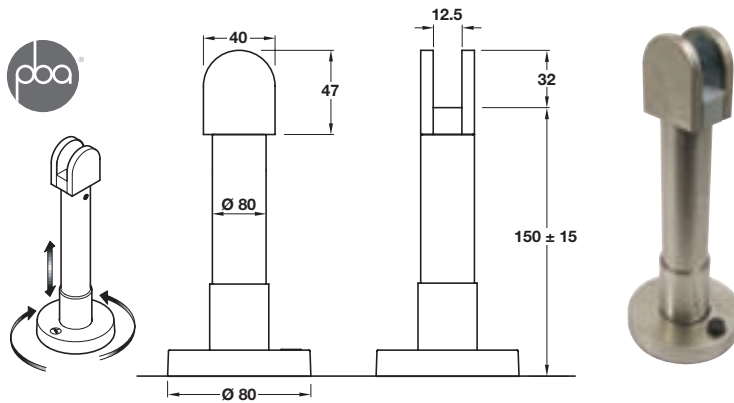


I Adjustable foot support

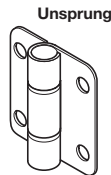
- Support for division and fascia panels
- Height adjustable between 135 mm and 165 mm
- Clear plastic spacers included for laminated glass thickness 10.5 to 12.5 mm
- Fixings included
- Stainless steel, grade 316

Finish	Cat. No.
Satin stainless steel	980.34.000

Order qty: 1 pc



Sprung



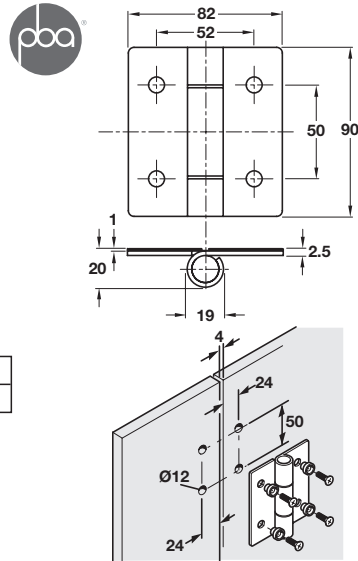
Unsprung

J Hinge

- Plain bearing or spring assisted closing
- For sprung version; adjustable closing speed to users requirements
- Clear plastic spacers included
- Glass must be pre-drilled
- Fixings not included
- Satin stainless steel, grade 316

Finish	Unsprung	Sprung
Satin stainless steel	980.34.040	980.34.050

Order qty: 1 pc



Unsprung version shown

Fixing materials

Type	Cat. No.
Glass to glass	980.34.060

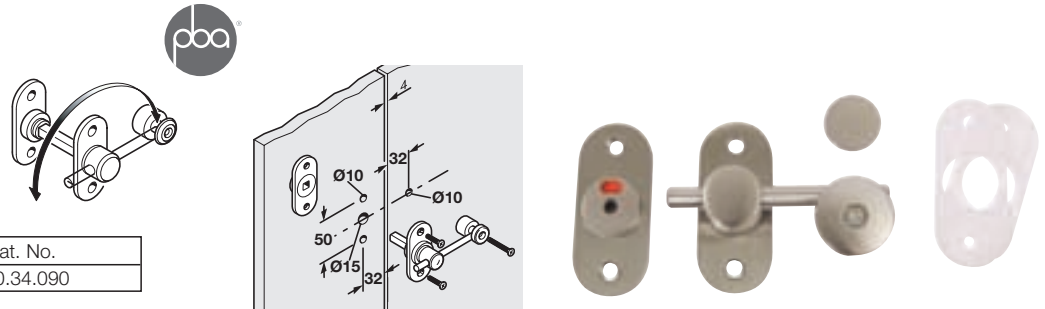
Order qty: 1 pc

K Indicator bolt

- Throw-over pattern
- Vacant/engaged indicator
- Emergency release
- Glass must be pre-drilled
- Clear plastic spacers included
- Fixings included
- Stainless steel, grade 316

Finish	Cat. No.
Satin stainless steel	980.34.090

Order qty: 1 pc

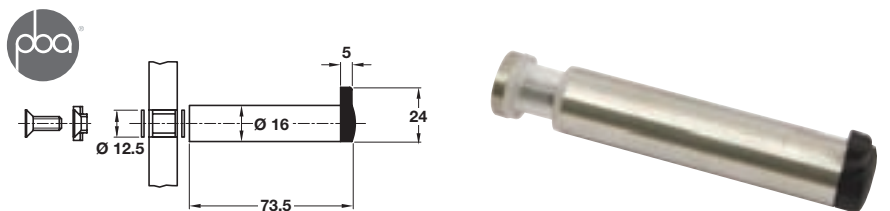


L Buffered coat hook

- Glass must be pre-drilled
- Clear plastic spacers included
- Fixings included
- Stainless steel, grade 316

Finish	Cat. No.
Satin stainless steel	980.34.150

Order qty: 1 pc



M Double fixed knob

- Glass must be pre-drilled
- Clear plastic spacers included
- Fixings included
- Stainless steel, grade 316

Finish	Cat. No.
Satin stainless steel	980.34.170

Order qty: 1 pc

