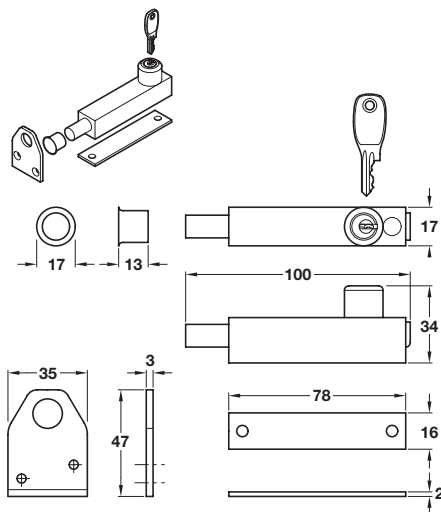


A Universal pressbolt

- Suitable for all internal and external doors, French windows and cupboards
- Press to lock, key to unlock
- Saw resistant
- Fixing screws concealed when locked
- Steel receiver plate and ferrule included
- Fixing screws included
- 1 cut key included
- Steel and brass

Finish	Cat. No.
White	971.00.157
Brass	971.00.155

Order qty: 1 pc



White finish

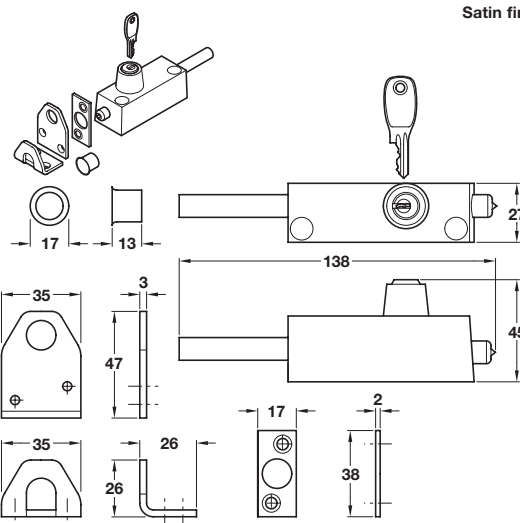


B Multi-purpose lock

- Suitable for timber and aluminium sliding and hinged doors and windows
- Long throw makes it ideal for patio and garage doors
- Push to lock, key to unlock
- Saw resistant
- Fixing screws concealed when locked
- Steel receiver plate and ferrule included
- Fixing screws included
- 1 cut key included
- Steel and brass

Finish	Cat. No.
White	971.00.167
Brass	971.00.165
Satin	971.00.160

Order qty: 1 pc



Satin finish



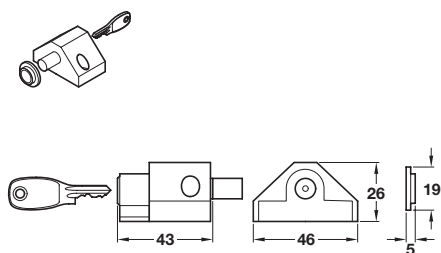
7

C Patio door lock

- To suit timber, metal and PVCu hinged and sliding doors
- Press to lock, key to unlock
- Saw resistant
- Fixing screws concealed when locked
- Brass ferrule included
- Fixing screws included
- 1 cut key included
- Steel and brass

Finish	Cat. No.
White	971.00.177
Brown	971.00.171

Order qty: 1 pc



White finish

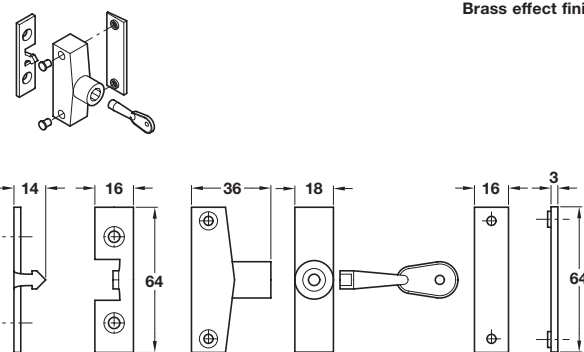


D Snaplock for windows

- Suitable for timber casement, side hung or top hung windows
- Automatically locks when window is closed, key to unlock
- Fixing screws concealed by plugs
- Fixing screws included
- 1 standard key included
- Steel

Finish	Cat. No.
White	971.00.187
Brown	971.00.181
Brass effect	971.00.185

Order qty: 1 pc



Brass effect finish

