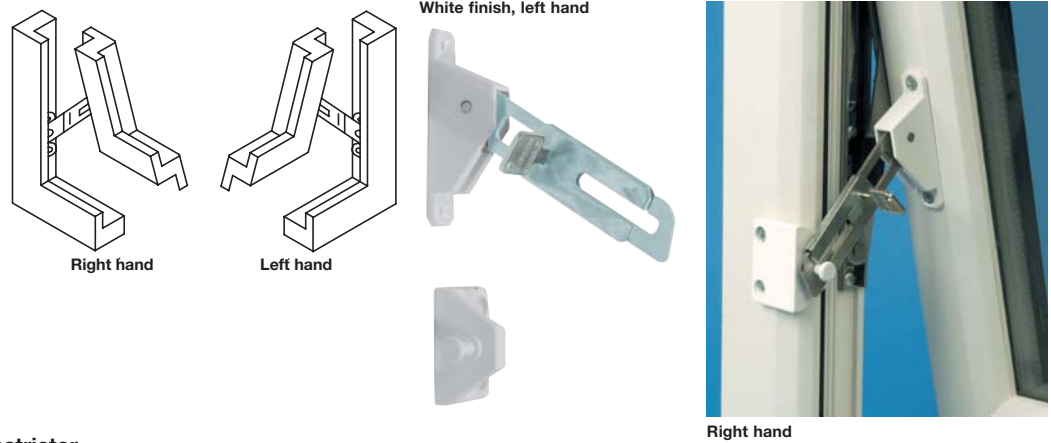


Window Restrictor Stays Surface Fixing Application

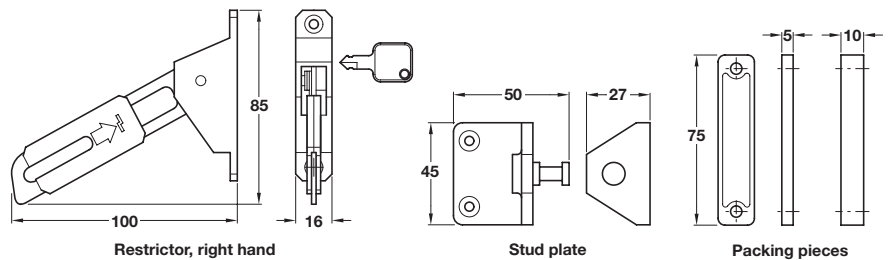


A Res-Lok surface locking restrictor

- Suitable for side or top hung windows
- Auto locking, key releaseable
- To suit timber, aluminium or PVCu
- Restricts sash to 100 mm
- Conforms to BS6375 Part 2: 1987
- Includes standard stud plate and 2 plastic packing pieces
- Stainless steel and zinc alloy, coated white

Hand	Left	Right
Cat. No.	973.00.090	973.00.100

Order qty: 1 pc



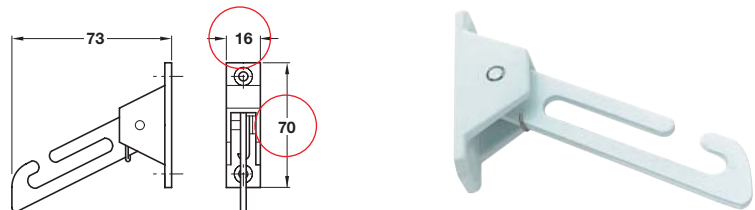
B Face fix restrictor

- Suitable for side or top hung, tilt and turn, and pivot windows
- To suit timber, aluminium and PVCu
- Restricts turn position
- Self engaging
- Conforms to BS6375 Part 2: 1987
- Stainless steel and zinc alloy
- Stud plates must be ordered separately. See item C

Finish	Cat. No.
White	973.00.117

Order qty: 1 pc

Item B.
Catalogue shows 15 and 75 mm
Correct dimensions are
16 and 70 mm



C Stud plate

- For use with face fix restrictor, item B
- 3 types available - For side or top hung, tilt and turn, and pivot windows
- Stainless steel and zinc alloy

For side or top hung windows

Height	White
12.5 mm	973.00.837
13.5 mm	973.00.847
14.5 mm	973.00.857

Order qty: 1 pc

For tilt and turn windows

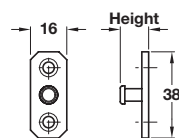
Height	White
14.5 mm	973.00.867

Order qty: 1 pc

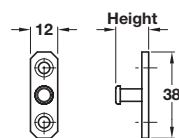
For pivot windows

Stud length	White
27 mm	973.00.877
36 mm	973.00.887

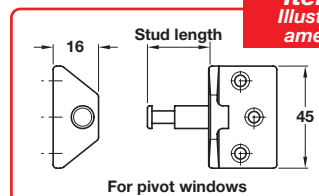
Order qty: 1 pc



For side or top hung windows



For tilt and turn windows



For pivot windows

Item A.
Illustration amended



For side or top hung windows



For tilt and turn windows



For pivot windows

Item C.
Catalogue shows... 'Height'
Correct description is 'Stud length'

21.01.09/1*