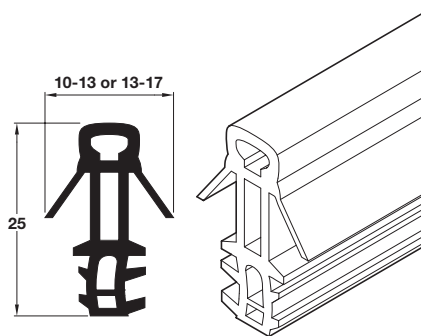


A Parting bead

- Suitable for timber sash windows
- Fixing into 8 mm groove or carrier (item B) between the 2 sashes
- To suit **10-13 mm** and **13-17 mm** gap between sashes
- Friction free
- 3.0 m length
- Plastic

Finish	10-13 mm	13-17 mm
White	950.17.407	950.17.417
Brown	950.17.401	950.17.411

Order qty: 1 pc

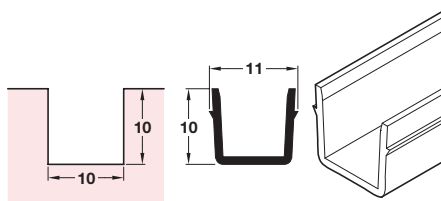


B Parting bead carrier

- Enables parting bead to be easily removed for remedial work
- Requires 10 x 10 groove
- 3.0 m length
- Plastic

Finish	Cat. No.
White	950.17.427
Brown	950.17.421

Order qty: 1 pc

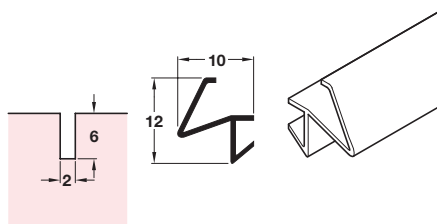


C Meeting rail seal

- Fits between meeting rails or sash and facing beads
- Also suitable for sliding doors
- 3.0 m length
- UV stable polymer

Finish	Cat. No.
White	950.17.437
Brown	950.17.431

Order qty: 1 pc



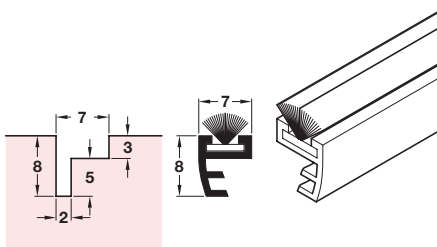
Slot cutter available to order on request

D Offset leg pile carrier

- Ideal for sealing between sash and facing beads
- Supplied complete with 6.5 mm pile and fin
- 2.2 m length
- PVCu carrier, polypropylene pile seal

Finish	Cat. No.
White	950.17.287
Brown	950.17.281

Order qty: 1 pc



Slot cutter available to order on request

E Centre leg pile carrier

- Ideal for sealing between sash and facing beads
- Supplied complete with 6.5 mm pile and fin
- 2.2 m length
- PVCu carrier, polypropylene pile seal

Finish	Cat. No.
White	950.17.297
Brown	950.17.291

Order qty: 1 pc

