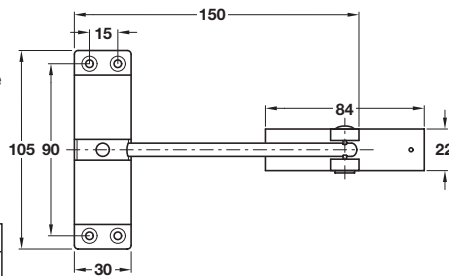


A Spring arm door closer

- For internal light to medium doors and inward opening external doors **30 kg max.**
- Double spring mechanism with adjustable tension to suit door closing speed and/or weight
- Protective steel plate provided to prevent damage of rollers to the door face
- Maintenance free
- Fixings and instructions included
- Matt black moulded glass filled end caps
- Stainless steel cover



Brushed steel finish



Finish	Cat. No.
Brushed stainless steel	931.87.600
White	931.87.607
Polished brass	931.87.608

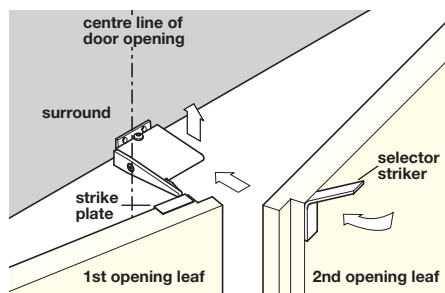
Order qty: 1 pc

BS EN 1158

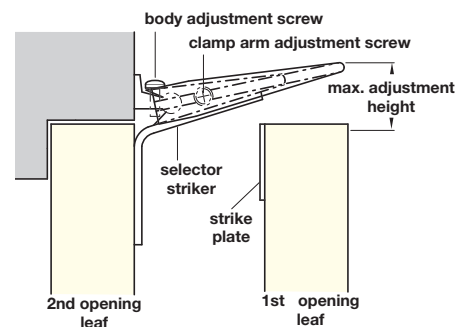
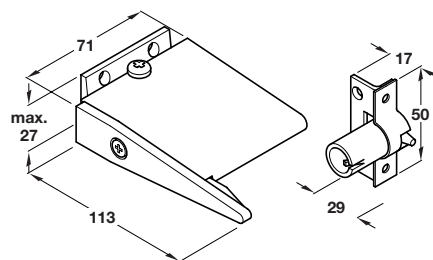


B Door selector

- Face fixing pattern. Not suitable for external use
- Enables a pair of rebated meeting stile doors to close in the correct sequence automatically
- Suitable for doors up to 1200 mm wide and any standard door thickness or rebate depth
- Tested and approved to BS EN 1158: 1997
- 10 year guarantee
- Includes trip catch to prevent misaligned rebates in certain circumstances
- Fixings and instructions included
- Aluminium
- **Note:** If selectors are required to be fire rated please contact us

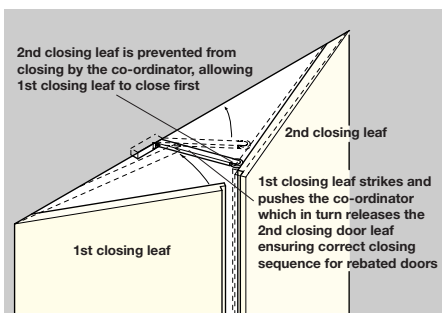


Satin aluminium finish



Finish	Cat. No.
Silver anodised aluminium	931.95.909
Satin stainless steel	931.95.900
Polished chrome plated	931.95.902
Polished brass plated	931.95.908

Order qty: 1 pc

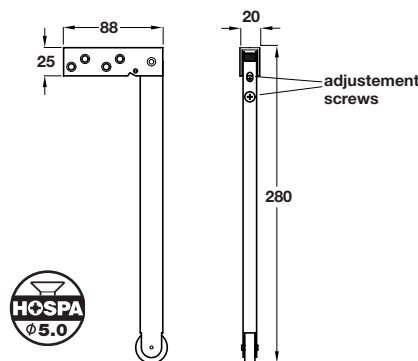


C Door co-ordinator

- Soffit fixing pattern. Suitable for outward opening external doors
- Ensures pair of rebated meeting stile doors close in the correct order
- Brushed stainless steel

Cat. No.	940.23.300
----------	------------

Order qty: 1 pc



D Rubbing plate

- For use with door co-ordinator, item C
- Satin stainless steel

Cat. No.	931.71.910
----------	------------

Order qty: 1 set

