

Concealed Jamb Door Closers Hydraulic Door Closers with Latch Action

A Perko Powermatic concealed hydraulic door closer with latch action



BS EN 1154



Application and range

- For light to medium weight internal doors
- Door thickness **40-44 mm**
- Maximum door height **2.1 m**
- Maximum door width **950 mm**
- Maximum door weight **80 kg**

Item A.
Text amended

Important note: Cannot be used on doors hung on any type of projection hinge, rising or falling butt hinges, or Tectus hinges

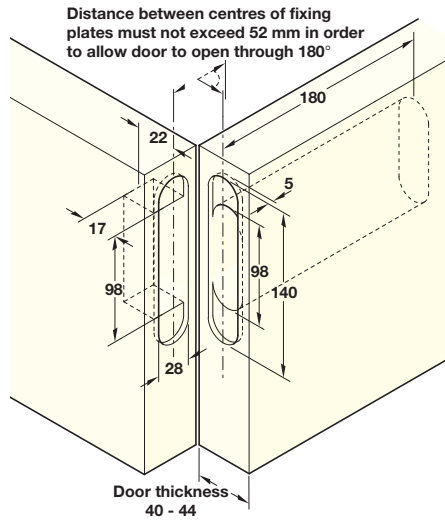
- Non handed
- Suitable for use on doors with arched heads where other types of closer are unsuitable
- Distance between centres of the fixing plates **must not exceed 52 mm in order to allow door to open through 105°**
- Unit concealed within the door and frame, only the stainless steel links (grade 316) and face plates are visible
- Closing speed and latching action are adjustable
- The main body normally fits into the door, but this may be reversed if required, due to narrow stile of door
- Full fixing instructions are included together with fixing template

Certification

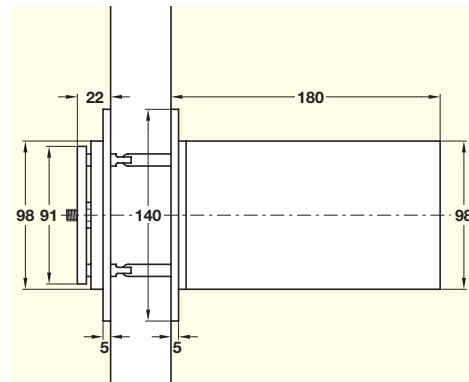
- Tested and approved to BS EN 1154: 1997
- Power size 3, 80 kg doors up to 950 mm wide
- Tested to conform with CE requirements
- Certifire approved; certificate no. CF 370 30 mins
- Fire tested to BS EN 1634-1:2000 for 1 hour
- Opening forces comply with requirements of Approved Document M for doors of a minimum width of 826 mm whilst still conforming to BS EN 1154: 1997
- Exceeds the 65% efficiency recommendation for fire doors on accessible routes (80%)
- 10 year guarantee

Finish	Cat. No.
Polished brass	931.90.438
Polished chrome	931.90.432
Satin chrome	931.90.434

Order qty: 1 pc



Polished chrome finish



B Perkomatic concealed hydraulic door closer with latch action

Application and range

- For light to medium weight internal doors
- Door thickness **40-44 mm**
- Maximum door height **2.1 m**
- Maximum door width **850 mm**
- Maximum panel weight **75 kg**

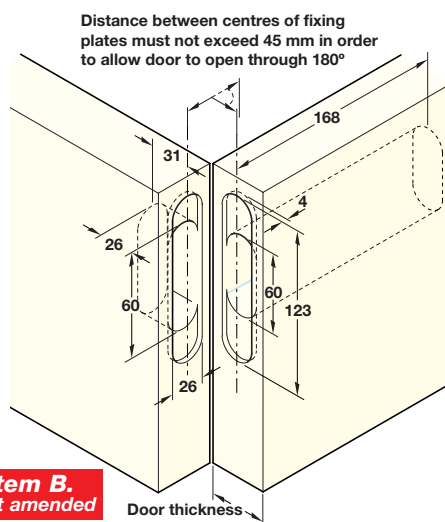
Item B.
Text amended

Important note: Cannot be used on doors hung on any type of projection hinge, rising or falling butt hinges, or Tectus hinges

- Unhanded
- Suitable for use on doors with arched heads where other types of closer are unsuitable
- Distance between centres of the fixing plates **must not exceed 45 mm in order to allow door to open through 180°**
- Successfully tested to 1/2 hr to BS 476 part 22
- Full fixing instructions are included together with fixing template
- Tested to 500,000 cycles

Finish	Cat. No.
Polished brass	931.90.408
Polished chrome	931.90.422
Satin chrome	931.90.424

Order qty: 1 pc



Polished brass finish

