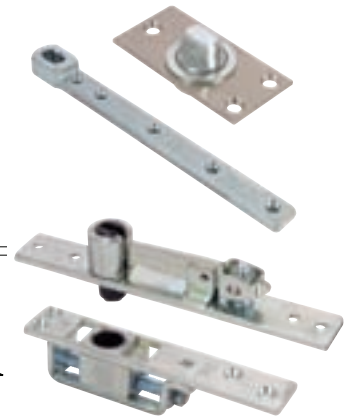
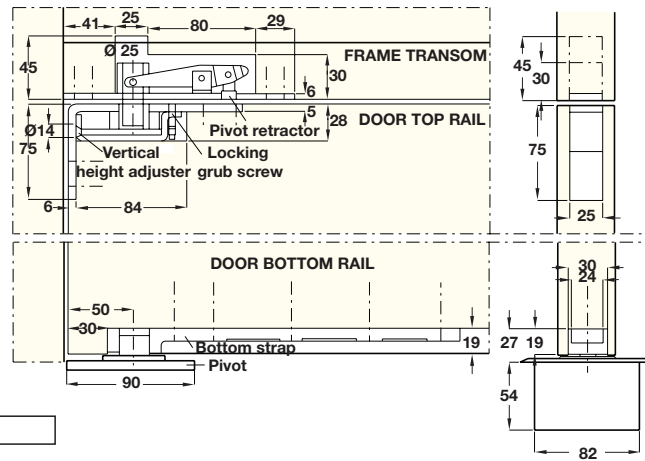


A Double action pivot set

- Suitable for doors up to **150 kg**
- Pivot plate 90 x 44 mm
- Pivot cover plate - stainless steel

Cat. No. 932.10.760

Order qty: 1 set

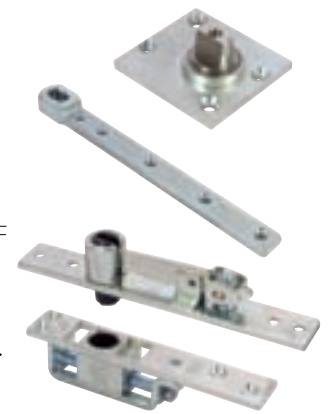
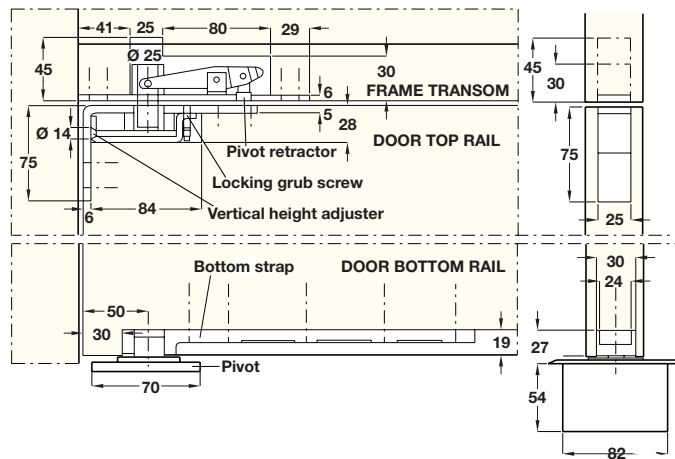


B Double action pivot set

- Suitable for doors up to **250 kg**
- Pivot plate 75 x 70 mm
- Pivot cover plate - stainless steel

Cat. No. 932.10.761

Order qty: 1 set



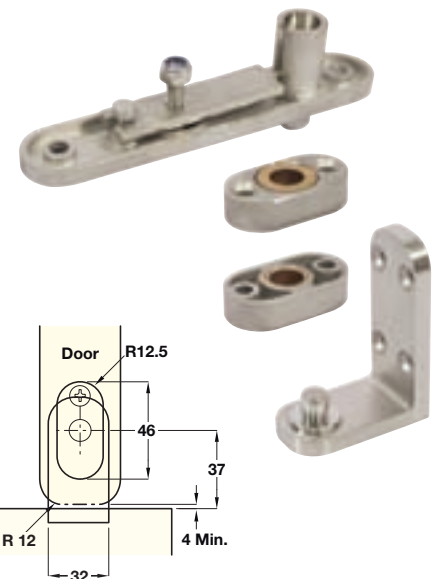
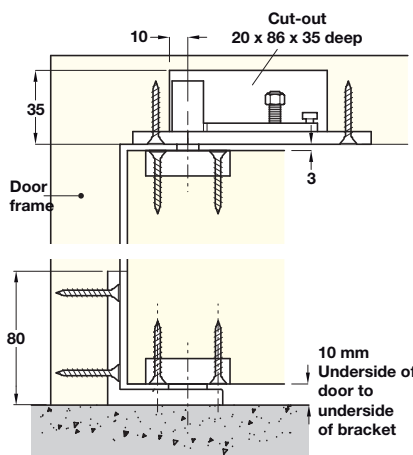
6

C Double action pivot set, frame mounted

- Allows doors to swing in either direction
- Door plates radiused for easy preparation
- Bottom bracket is frame mounted
- For medium duty internal doors
- Minimum door thickness **44 mm**
- To suit doors up to **80kg**, when bracket floor mounted
- Maximum door width **1100 mm**, when jamb mounted
- 44 mm thick doors require R9 radius on pivot edge, 54 mm thick doors require R12 radius
- Top and bottom plates have maintenance free oil impregnated bronze bearings
- Set includes door bottom pivot, top centre and Ø 5 mm screws to suit
- Maintenance free, guaranteed 25 years
- **Note:** It is recommended that both lock and hinge stiles are brush stripped for privacy. See section 5 page 54
- Stainless steel, grade 304

Finish Satin stainless steel Cat. No. 932.87.030

Order qty: 1 pc



For double action floor mounted pivot set, see section 5 page 50

TCH-A1 2008, HUK. Dimensional data not binding. We reserve the right to alter specifications without notice.