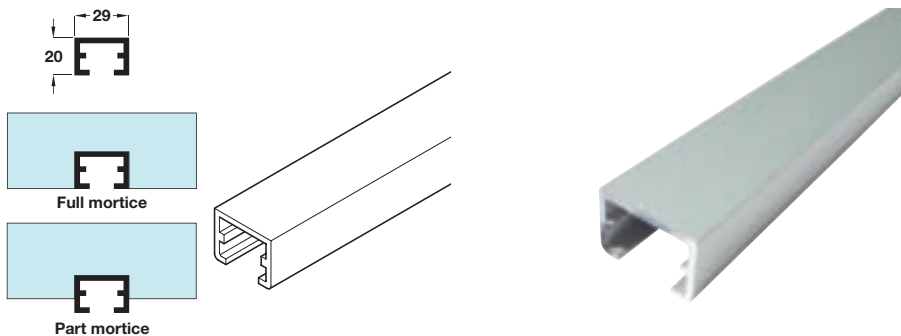


A Profiled track

- For use with delrin glide, item **B**
- For screw fixing to panels, preferably full or part morticed into under side of shelf or top of wardrobe
- End stops can be riveted to the ends of the track for installation without side panels
- 2.5 m length
- Aluminium
- **Without screw holes. These should be drilled on site**

Finish	Cat. No.
Bright anodised	804.30.002
Satin anodised	804.30.404

Order qty: Multiples of 2.5 m lengths

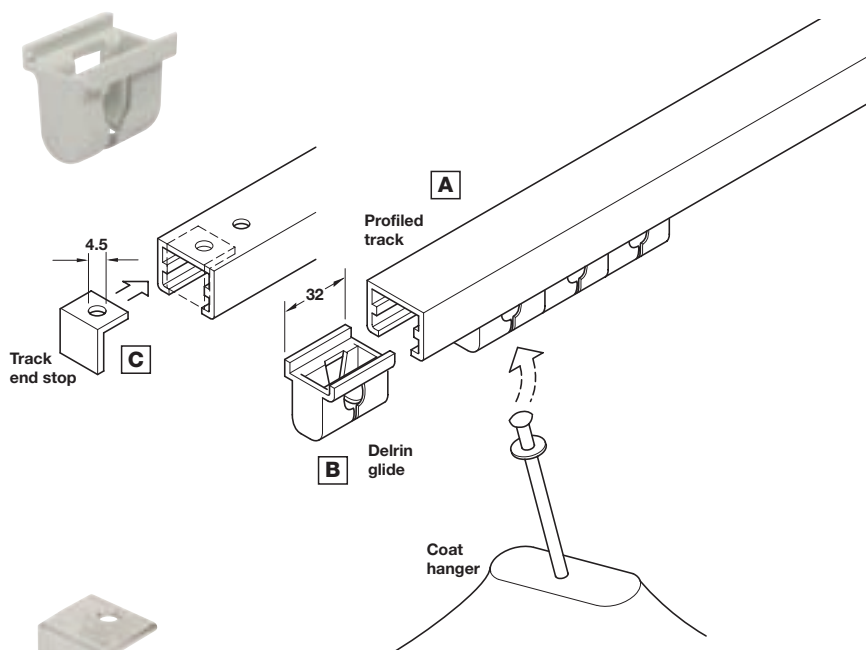


B Delrin glide

- For use with profiled track, item **A**
- Sufficiently wide to prevent clothes being compressed when the hangers are pushed together
- Strong enough to hold a coat, **not** strong enough to support a person
- Coat hanger can be installed in glides from both sides
- Plastic

Finish	Cat. No.
Light grey	804.31.107

Order qty: 1 pc



C End stop

- For use with profiled track item **A**, if track not mounted between side panels
- Aluminium

Finish	Cat. No.
Bright anodised	804.31.312

Order qty: 1 pc



D Coat hanger, standard type

- With pan head rod to fit delrin glide, item **B**
- Overall theft-proof design
- Wood

Finish/material	Cat. No.
Polished beech	804.32.006

Order qty: 1 pc

