

# Anti-ligature Fittings Hinges, Standard and Continuous

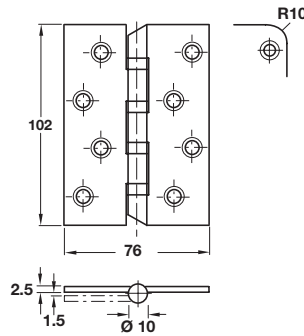


## A Slimline, stainless steel, anti-ligature butt hinge

- Staggered hole pattern
- Maximum adjusted door weight **120 kg**
- Minimum door thickness **35 mm**
- Square or radius corners
- Ø 5 x 30 mm wood screws included
- Grade 304 stainless steel

<b>Length x width</b>	<b>102 x 76 mm</b>	
Finish	Satin	Polished
Square corners	926.91.420	926.91.421
Radius corners	926.91.430	926.91.431

Order qty: 1 pc



Satin stainless steel finish shown  
Square corners

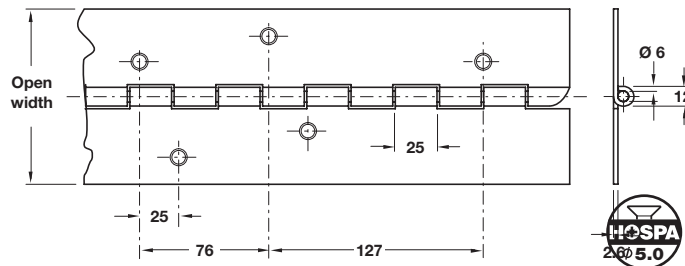


## B Stainless steel, anti-ligature continuous hinge

- 2134 mm length
- Heavy duty; max. adjusted door weight **120 kg**
- Suitable for 54 mm thick doors
- 42 holes per hinge
- CP grade **4**
- Ideal for use where there is a chance of fingers being trapped. I. e. nurseries, mental institutes etc.
- Avoids necessity for finger guards on pull side of door
- Stainless steel, mill finish, stainless steel pin

<b>Length x open width</b>	<b>2134 x 101.6 mm</b>
Cat. No.	926.91.670

Order qty: 1 pc



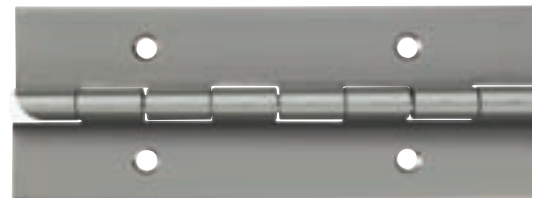
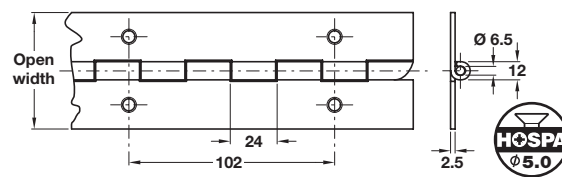
5

## C Stainless steel, anti-ligature continuous hinge

- 2000 mm length
- Heavy duty; max. adjusted door weight **120 kg**
- Suitable for 44 mm thick doors
- 40 holes per hinge
- CP grade **4**
- Ideal for use where there is a chance of fingers being trapped. i.e. nurseries, mental institutes etc.
- Avoids the necessity for finger guards on pull side of door
- Stainless steel, mill finish, stainless steel pin

<b>Length x open width</b>	<b>2000 x 76 mm</b>
Cat. No.	926.91.680

Order qty: 1 pc

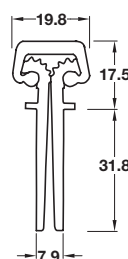


## D Full mortice, anti-ligature pivot hinge

- Can only be used on new doorsets because it requires an 8 mm gap at the hanging stile if face fixing to accommodate both hinge leaves. This is more satisfactorily achieved when the new door can be produced to fit the frame
- Frame and door blades can be surface or recess mounted
- 2108 mm length
- For doors up to **125 kg**
- Enables door to open 180°, subject to architraves
- Maintenance free
- Fixing screws included
- Silver anodised aluminium

Cat. No.	926.66.009
----------	------------

Order qty: 1 pc



TCH-A1 2008, HUK. Dimensional data not binding. We reserve the right to alter specifications without notice.