

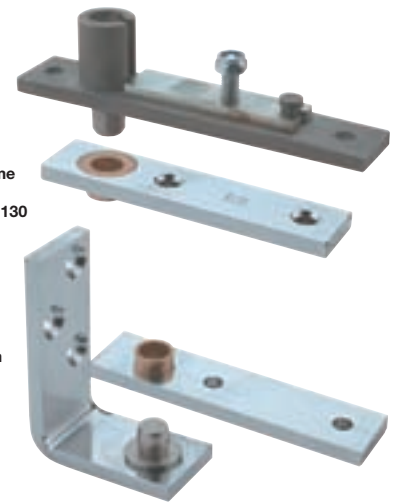
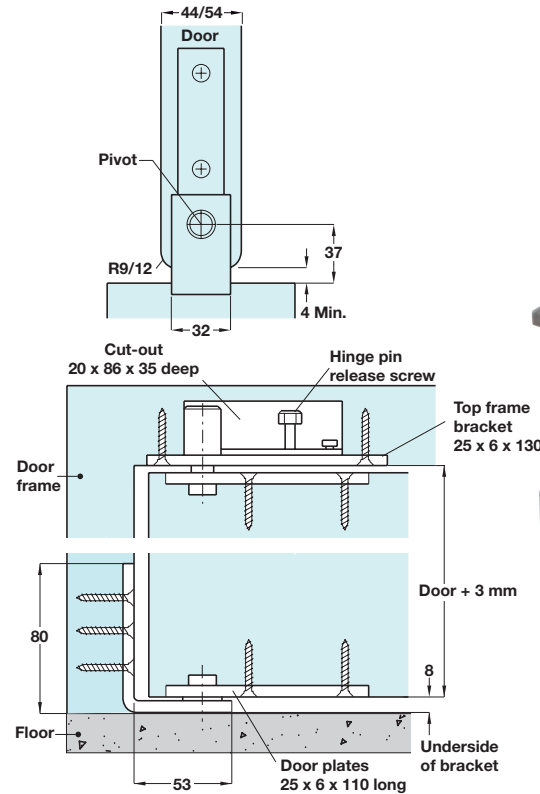
5

A Double action pivot set, frame mounted

- Allows doors to swing in either direction
- Door plates radiused for easy preparation
- Bottom bracket is frame mounted
- Minimum door thickness **44 mm**
- To suit doors up to **80kg**, when bracket floor mounted
- Maximum door width **1100 mm**, when jamb mounted
- 44 mm thick doors require R9 radius on pivot edge, 54 mm thick doors require R12 radius
- Top and bottom plates have maintenance free oil impregnated bronze bearings
- Set includes door bottom pivot, top centre and Ø 5 mm door brackets
- Maintenance free, guaranteed 25 years
- **Note:** It is recommended that both lock and hinge stiles are brush stripped for privacy. See page 54
- Stainless steel, grade 304
- Adjustable pivot version available to order, subject to quantity

Finish	Cat. No.
Satin stainless steel	932.87.000

Order qty: 1 pc

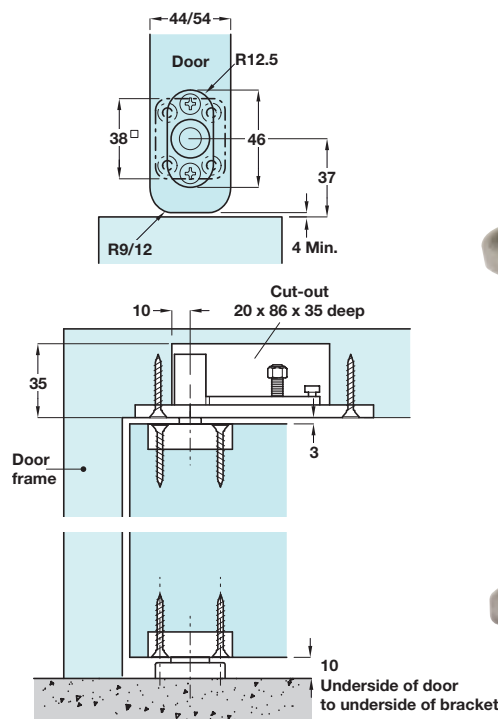


B Double action pivot set, floor mounted

- Allows door to swing in either direction
- Door plates radiused for easy preparation
- Bottom bracket is floor mounted and does not protrude beyond the door edge
- Suitable for FD30 doors, tested to BS476 Part 22
- Minimum door thickness **44 mm**
- To suit doors up to **80 kg**
- Maximum door width **1100 mm**
- Top and bottom plates have maintenance free oil impregnated bronze bearings
- 44 mm thick doors require R9 radius on pivot edge, 54 mm thick doors require R12 radius
- Set includes door bottom pivot, top centre and Ø 5 mm door brackets
- Maintenance free, guaranteed 25 years
- **Note:** It is recommended that both lock and hinge stiles are brush stripped for privacy. See page 54
- Stainless steel, grade 304
- Heavy duty (120 kg) and adjustable pivot version available to order, subject to quantity

Finish	Cat. No.
Satin stainless steel	932.87.040

Order qty: 1 pc



TCH-A1 2008, HUK. Dimensional data not binding. We reserve the right to alter specifications without notice.