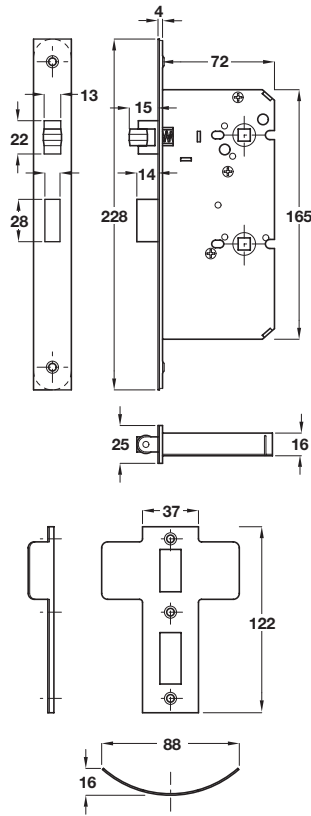


### A Roller bolt bathroom lock

- Roller bolt operated by lever handles from either side
- Deadbolt operated by turn/release from either side
- Ideal for use with double action pivot doors (see page 50)
- Pierced to accept 38 mm centres horizontally and diagonally opposed bolt through lever furniture and horizontally opposed indicator furniture
- Cruciform preformed strike plate included
- Brass roller bolt, 15 mm projection
- Brass deadbolt, 14 mm throw
- Brass followers, 8 mm lever and 8 mm turn
- Available with standard springing, for sprung levers and heavy duty springing, for unsprung levers
- Stainless steel forend and strike plate, grade 304
- **Note:** Pre-formed frame pieces are available, contact us for further information

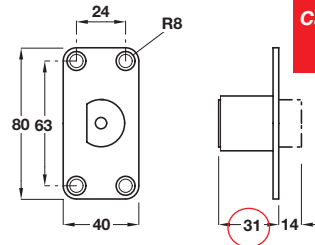
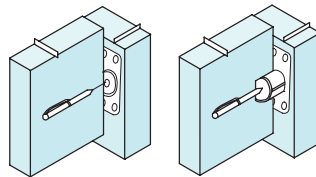


Springing	Cat. No.
Standard	911.24.029
Heavy duty	911.24.030

Order qty: 1 pc

### B Emergency release door stop

- For use with items A and B shown on page 50
- Allows double action door to operate as a single swing, when hung on pivots
- Emergency access is gained by depressing the stop and pulling the door outward
- Includes hold back facility
- Stop release resets automatically
- Maintenance free, 25 year guarantee
- Plate has R8 corners
- 5 x 30 mm screws included
- Stainless steel, grade 304

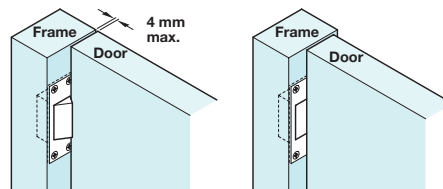


**Item B.**  
Catalogue shows 27 mm  
Correct dimension is  
31 mm



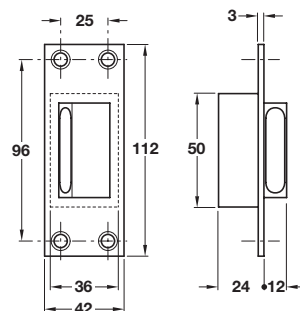
Finish	Cat. No.
Satin stainless steel	932.87.020

Order qty: 1 pc



### C Emergency release door stop

- For use with items A and B shown on page 50
- Allows double action door to operate as a single swing, when hung on pivots
- Emergency access is gained by depressing the stop and pulling the door outward
- Includes rubber insert for quieter action
- Stop release resets automatically
- Maintenance free, 25 year guarantee
- 5 x 30 mm screws included
- Stainless steel, grade 304



Finish	Cat. No.
Stainless steel	932.87.010

Order qty: 1 pc

26.08.08/1\*