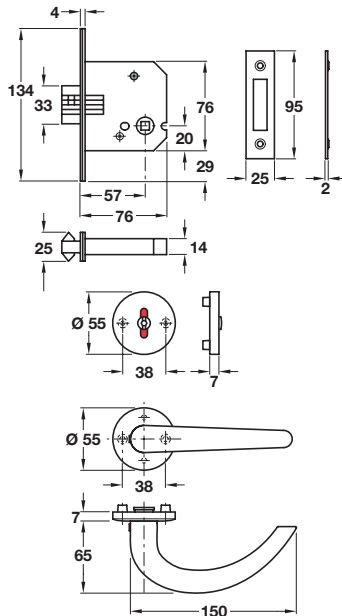
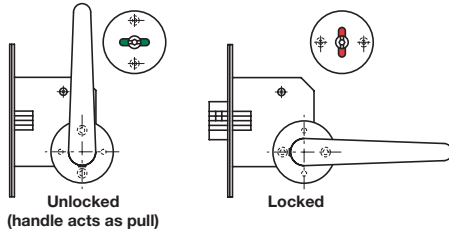
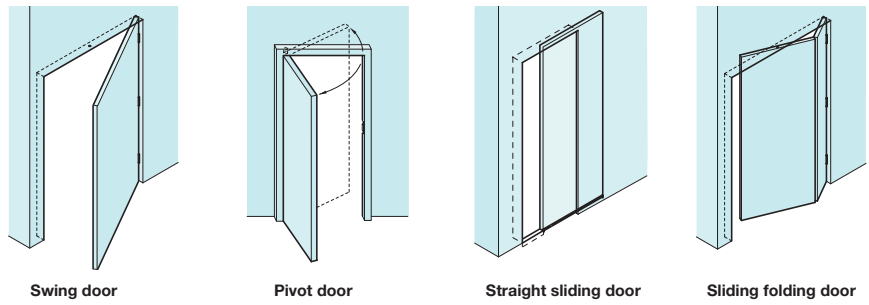


Fittings to Aid Disabled Persons

Lever Handle Sets

This set is designed for use on swing, pivot, straight sliding and leaf and a half sliding/folding door sets. With the door in the unlocked position the handle will be in the upright position with the indicator showing green. When locked the handle is moved to the horizontal position and the indicator showing red. It is recommended that a face fixed pull handle is mounted on the outer face; refer to **Section 1** for details.



A Lever handle, indicator and lock set

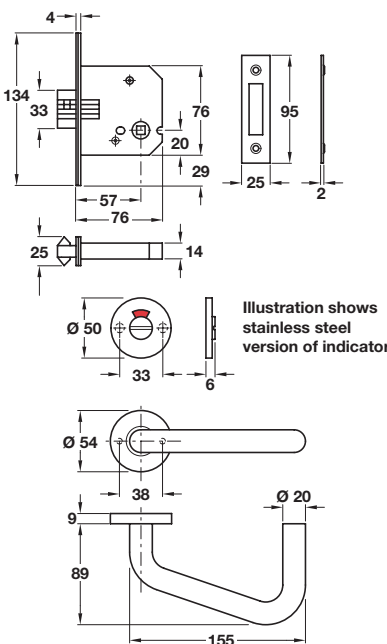
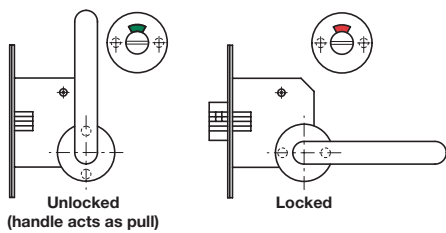
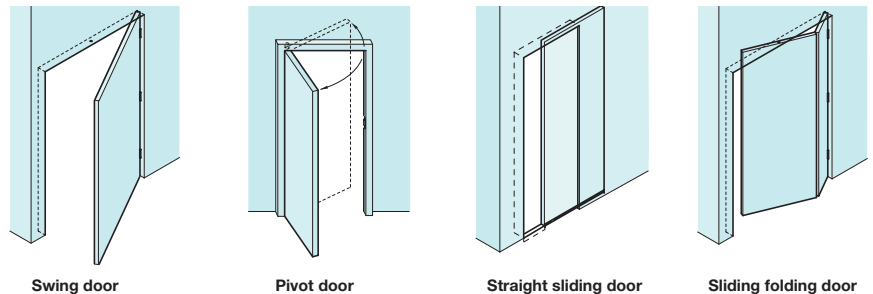
- Unhanded
- Large stainless steel lever handle
- Emergency release indicator
- Turn operated claw bolt lock
- Self adhesive instruction badge 'Depress lever to lock'
- Bolt through fixings included
- For use with swing, sliding and folding doors (see illustration)
- Pull handles for external use can be found in **Section 1**

Finish	Cat. No.
Satin stainless steel	911.78.018

Order qty: 1 set

5

This set is designed for use on swing, pivot, straight sliding and leaf and a half sliding/folding door sets. With the door in the unlocked position the handle will be in the upright position with the indicator showing green. When locked the handle is moved to the horizontal position and the indicator showing red. It is recommended that a face fixed pull handle is mounted on the outer face; refer to **Section 1** for details.



Item B. Catalogue shows... 'Polished anodised aluminium' Correct Finish is 'Satin anodised aluminium'

B Lever handle, indicator and lock set

- Unhanded
- Large safety pattern lever handle
- Emergency release indicator
- Turn operated claw bolt lock
- Self adhesive instruction badge 'Depress lever to lock'
- Bolt through fixings included

Finish	Cat. No.
Satin stainless steel	911.78.019
Satin anodised aluminium	911.78.020

Order qty: 1 set

22.07.09/1*

TCH-A1 2008, HUK. Dimensional data not binding. We reserve the right to alter specifications without notice.