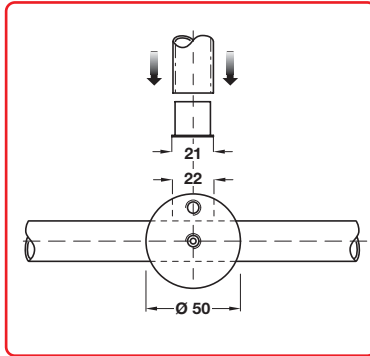


E Tee piece

- Joining front headrail to division headrail
- Secures rail at 90°
- Fixings included
- Stainless steel, grade 316

Finish	Cat. No.
Satin stainless steel	980.34.430

Order qty: 1 pc



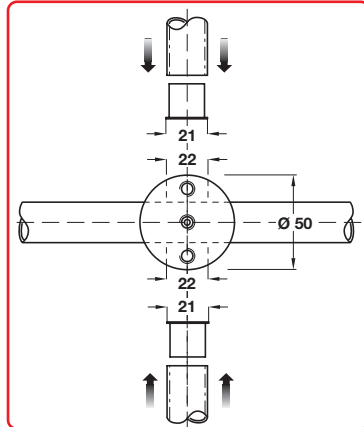
Item A.
Illustration amended



- ### F Cross connector
- Secures rail to rail
 - Fixings included
 - Stainless steel, grade 316

Finish	Cat. No.
Satin stainless steel	980.34.440

Order qty: 1 pc



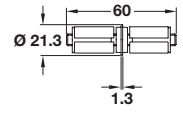
Item B.
Illustration amended



- ### G Rail connector
- Secures rail to rail
 - Galvanized steel connecting plugs, steel threaded rod and stainless steel centring ring

Cat. No.	980.34.460
----------	------------

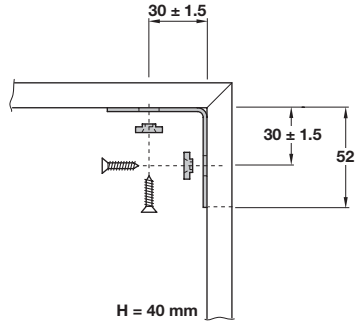
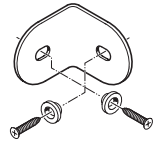
Order qty: 1 pc



- ### H Angle bracket
- Secures division to fascia at 90°
 - Board fixings included
 - Wall fixings not included
 - Stainless steel, grade 316

Finish	Cat. No.
Satin stainless steel	980.34.320

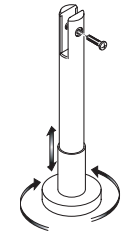
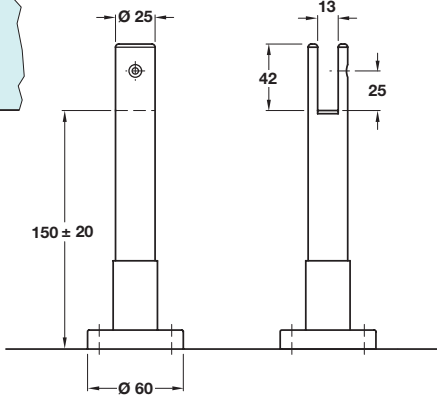
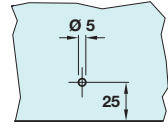
Order qty: 1 pc



- ### I Adjustable foot support
- Support for division and fascia panels
 - Height adjustable between 130 mm and 170 mm
 - Fixings included
 - Sstainless steel, grade 316

Finish	Cat. No.
Satin stainless steel	980.34.300

Order qty: 1 pc



21.11.08/1*

TCH-AI 2008, HUK. Dimensional data not binding. We reserve the right to alter specifications without notice.