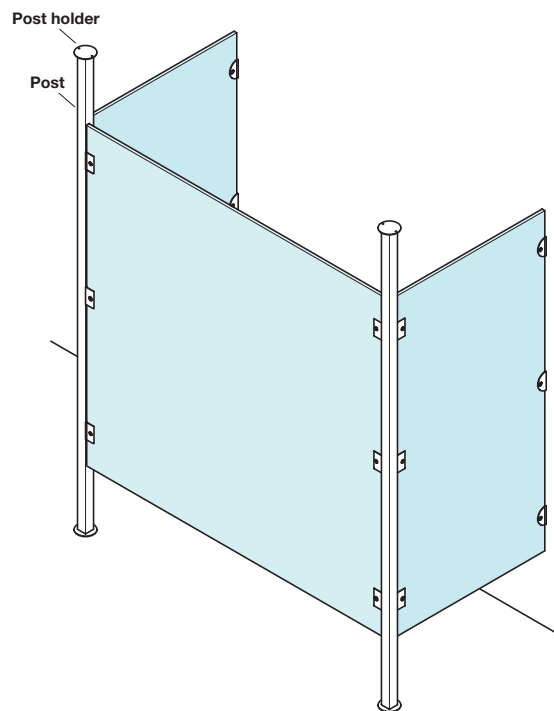


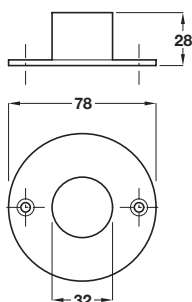
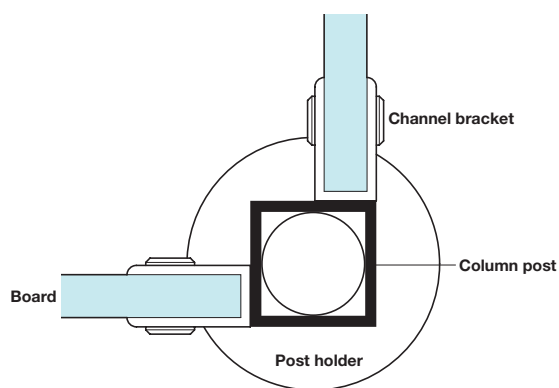
Floor and ceiling posts for cubicle fittings

Application:

- General purpose cubicles of chipboard, plywood etc. construction, where floor to ceiling posts are required
- For use with toilet cubicle fittings suitable for 17-21 mm board thickness shown on pages **21-23** and toilet cubicle fittings suitable for 12-13 mm board thickness shown on pages **24-25**.



5



A Floor/ceiling post holder

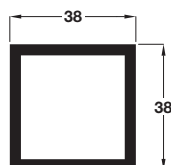
- For use with post **B**
- Supplied in sets of 2
- Fixings included
- Aluminium

Finish	Cat. No.
Satin anodised	980.80.000

Order qty: 1 set (pack of 2)

B Floor to ceiling column post

- For use with holders **A**
- For application where floor to ceiling posts are required - for use with toilet cubicle fittings shown on pages **21-23** and **24-25**
- 4 m length
- Aluminium



Finish	Cat. No.
Satin anodised	980.80.010

Order qty: 1 pc (4 m length)

TCH-A1 2008, HUK. Dimensional data not binding. We reserve the right to alter specifications without notice.