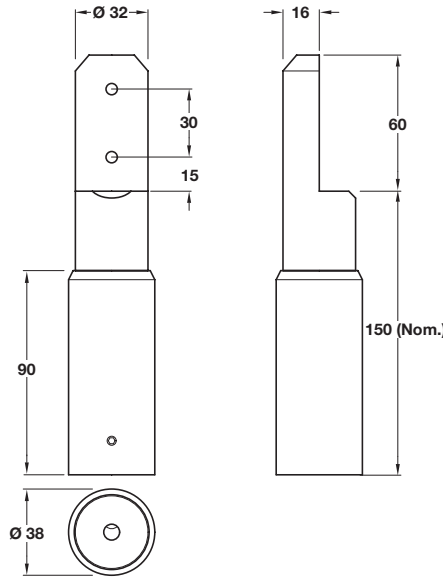


Satin anodised finish shown



D Partition support leg, adjustable

- To suit board thickness 12-13 mm
- Adjustability allows clearance of 125-175 mm where floor falls or is uneven
- Bolt through fixings included
- Aluminium

Finish	Cat. No.
Satin anodised	980.07.941
Black polyester powder coated	980.07.341

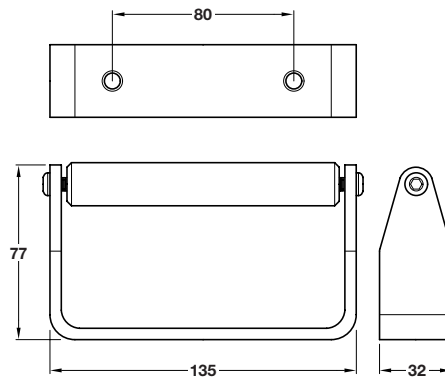
Order qty: 1 pc

E Toilet roll holder set

- Fixings for 17-21 mm board included
- **Note:** Fixings for 12-13 mm board are not included
- Vandal proof, roller secured by special socket head fixings. Special allen key provided
- For alternative toilet roll holders refer to page 23
- Aluminium

Finish	Cat. No.
Satin anodised	980.07.930
Black polyester powder coated	980.07.330

Order qty: 1 pc



Satin anodised finish shown

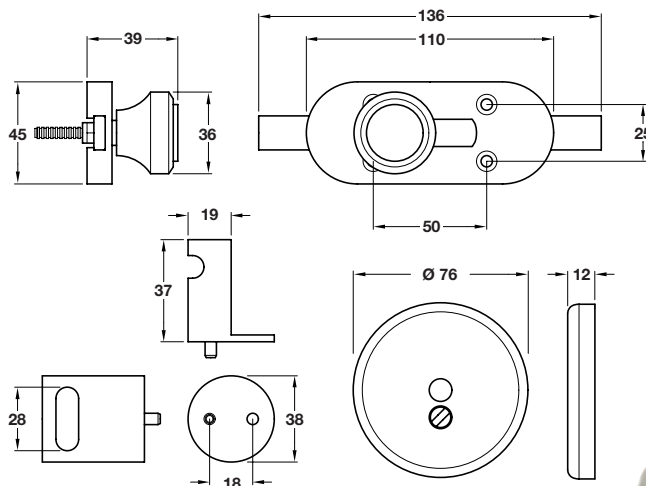
5

F Indicator bolt set

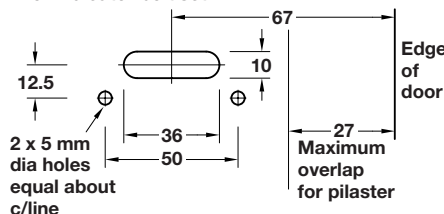
- To suit inward opening doors
- Robust construction
- External coin release in case of emergency
- Includes all fixings for 12-13 mm board thickness
- Includes 2 rubber buffers
- Positive knob handle (with rubber buffer) to slide bolt
- For outward opening doors, order item **K**, shown on page 23
- Aluminium

Finish	Cat. No.
Satin anodised	980.07.951
Black polyester powder coated	980.07.351

Order qty: 1 set



Door drilling detail for indicator bolt set



TCH-A1 2008, HUK. Dimensional data not binding. We reserve the right to alter specifications without notice.