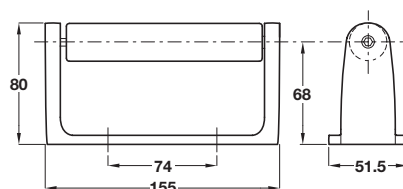


H Toilet roll holder

- Wooden roller
- Allen key included for removal of roller
- Aluminium

Finish	Cat. No.
Satin anodised	980.39.000
Polished anodised	980.39.001

Order qty: 1 pc

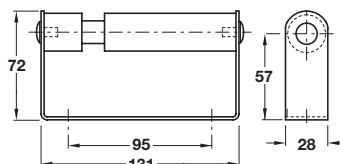


I Toilet roll holder

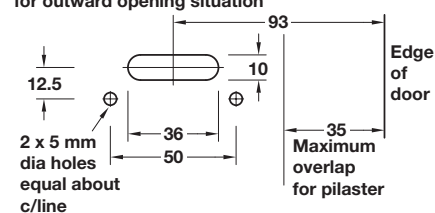
- Wooden sprung roller
- Brass or stainless steel

Finish	Cat. No.
Polished brass	980.04.015
Satin stainless steel	980.04.010
Polished stainless steel	980.04.011

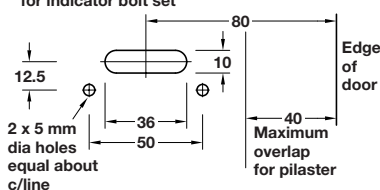
Order qty: 1 pc



Door drilling detail for outward opening situation



Door drilling detail for indicator bolt set

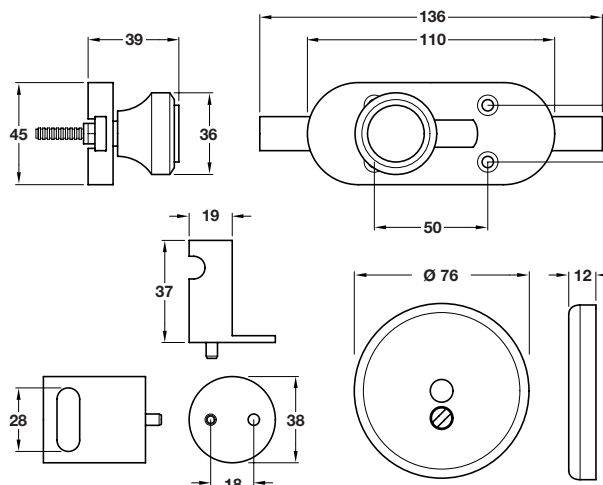


J Indicator bolt set

- To suit inward opening doors
- Robust construction
- External coin release in case of emergency
- Includes all fixings for 17-21 mm board thickness
- Includes 2 rubber buffers
- Positive knob handle (with rubber buffer) to slide bolt
- For outward opening doors, order item **K**
- Aluminium

Finish	Cat. No.
Satin anodised	980.07.950
Black polyester powder coated	980.07.350

Order qty: 1 set

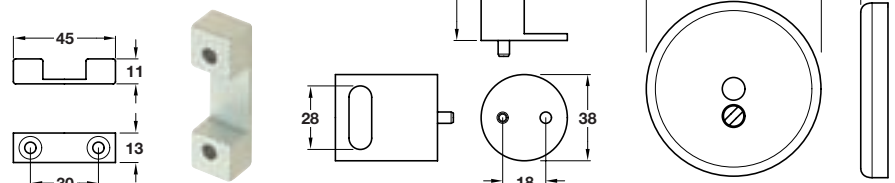


K Keep, outward opening

- To suit outward opening doors
- Aluminium

Finish	Cat. No.
Satin anodised	980.07.960
Black polyester powder coated	980.07.360

Order qty: 1 pc



L 'D' handle

- Back to back fixing
- Easily operated by a closed fist
- Suitable for ambulant disabled persons
- Suitable for use by visually impaired persons (when correct colour is applied)
- Suitable for 12-13 mm and 17-21 mm boards
- Other colours available subject to quantity. Surcharge may apply

Finish	Cat. No.
Satin anodised	905.02.700
Black polyester powder coated	905.02.703

Order qty: 1 pair

