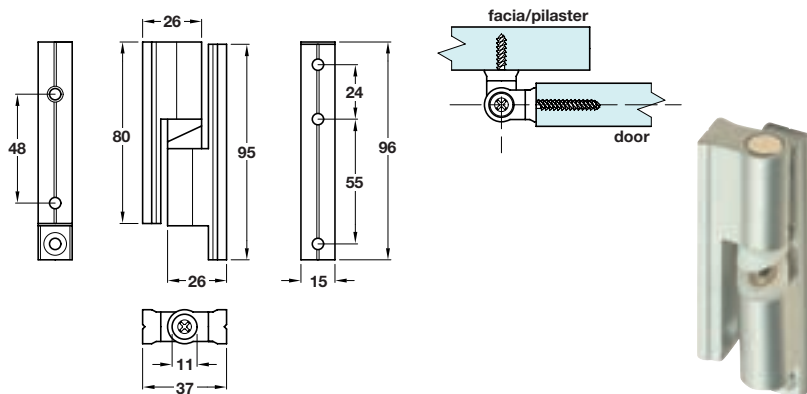


D Hinge set, standard duty

- To suit panel thickness 17-21 mm
- Supplied in pairs
- Concealed fixing
- Reversible. Rise or fall - turn cam to suit
- Aluminium

Finish	Cat. No.
Satin anodised	980.07.920
Black polyester powder coated	980.07.320

Order qty: 1 pair

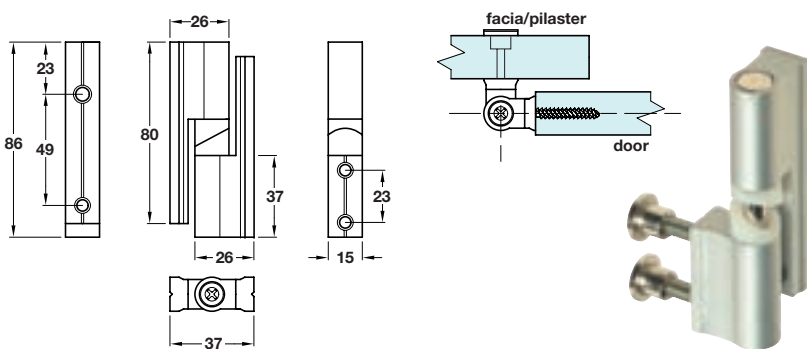


E Hinge set, heavy duty

- To suit panel thickness 17-21 mm
- Supplied in pairs
- 'T' nut bolt fixing through pilaster
- High resistance to 'pull out'
- Workshop predrilling advised
- Reversible. Rise or fall - turn cam to suit
- Aluminium

Finish	Cat. No.
Satin anodised	980.07.921
Black polyester powder coated	980.07.321

Order qty: 1 pair



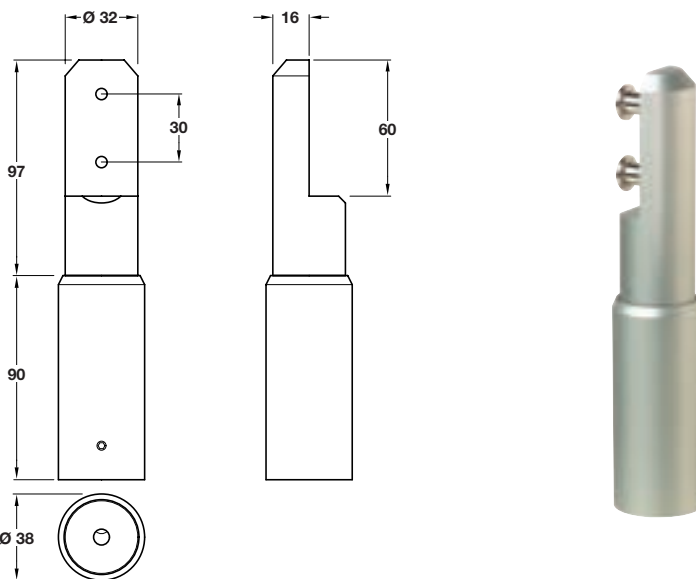
5

F Partition support leg, adjustable

- To suit board thickness 17-21 mm
- Adjustability allows clearance of 135-165 mm where floor falls or is uneven
- Bolt through fixings included
- Aluminium

Finish	Cat. No.
Satin anodised	980.07.940
Black polyester powder coated	980.07.340

Order qty: 1 pc

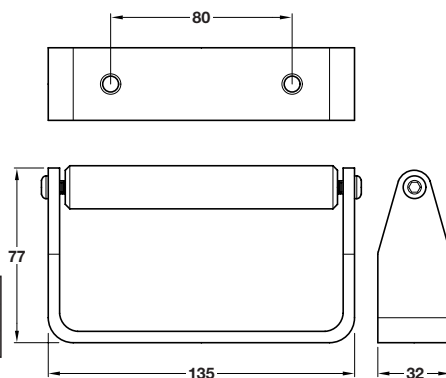


G Toilet roll holder

- Choice of fittings to suit board thickness 17-21 mm either through or face fixing
- Vandal proof, roller secured by special socket head fixings. Special allen key provided
- Aluminium

Finish	Cat. No.
Satin anodised	980.07.930
Black polyester powder coated	980.07.330

Order qty: 1 pc



Satin anodised finish shown

