

Ø 38 mm and Ø 51 mm Bar Railing Systems Brass Railing Brackets and Posts

Please note: As certain items are not available in stainless steel, satin nickel-plated brass should be used with satin stainless steel tube and polished chrome-plated brass should be used with polished stainless steel tube



IMPORTANT NOTE:

Unless otherwise indicated fixing screws are not included and must be ordered separately. The logo shown indicates the type and size of screw required.

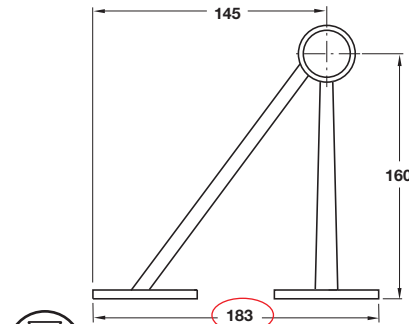
Polished brass finish

A Railing support bracket, angled stem

- Suitable for Ø 38 mm stainless steel or brass tube
- Fixings not included
- To be used for foot rails only
- Brass

Finish	Cat. No.
Satin nickel	812.51.400
Polished brass	812.51.800
Polished chrome	812.51.200

Order qty: 1 pc



Please note: These railing supports should not be wall mounted for use as handrail support. These supports should only be base mounted as shown



Item A.
Catalogue shows 179 mm
Correct dimension is
183 mm

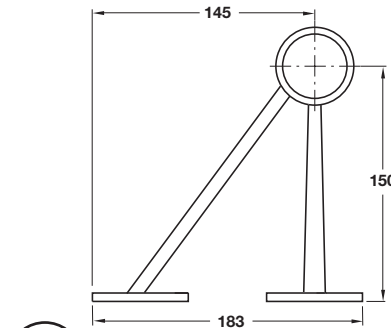
Polished chrome finish

B Railing support brackets, angled stem

- Suitable for Ø 51 mm stainless steel or brass tube
- Fixings not included
- To be used for foot rails only
- Brass

Finish	Cat. No.
Satin nickel	812.61.400
Polished brass	812.61.800
Polished chrome	812.61.200

Order qty: 1 pc



Please note: These railing supports should not be wall mounted for use as handrail support. These supports should only be base mounted as shown



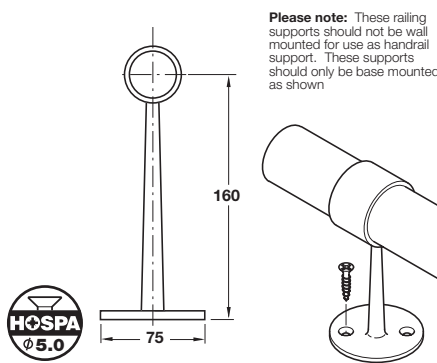
Polished brass finish

C Railing support upright centre post

- Suitable for Ø 38 mm stainless steel or brass tube
- Fixings not included
- To be used for foot rails only
- Brass

Finish	Cat. No.
Satin nickel	812.51.410
Polished brass	812.51.810
Polished chrome	812.51.210

Order qty: 1 pc



Please note: These railing supports should not be wall mounted for use as handrail support. These supports should only be base mounted as shown



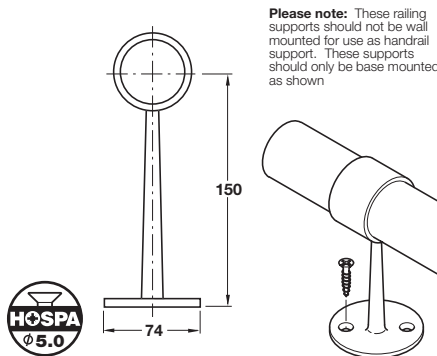
Polished chrome finish

D Railing support upright centre post

- Suitable for Ø 51 mm stainless steel or brass tube
- Fixings not included
- To be used for foot rails only
- Brass

Finish	Cat. No.
Satin nickel	812.61.410
Polished brass	812.61.810
Polished chrome	812.61.210

Order qty: 1 pc



Please note: These railing supports should not be wall mounted for use as handrail support. These supports should only be base mounted as shown



TCH-AI 2008, HUK. Dimensional data not binding. We reserve the right to alter specifications without notice.

17.11.08/1*