

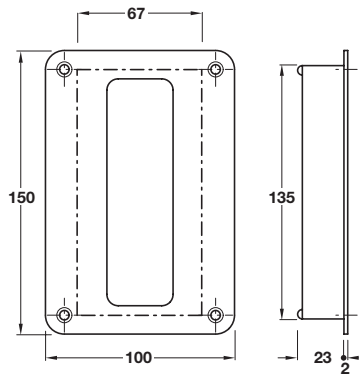
Satin stainless steel finish

A Stainless steel flush pull

- 150 x 100 x 25 mm
- Suitable for use on swing and sliding timber doors
- Fixings included
- Grade 316 stainless steel
- Other finishes available to order, subject to quantity

Finish	Cat. No.
Satin stainless steel	910.37.100

Order qty: 1 pc (1 pc required per panel)



Dull brushed stainless steel finish

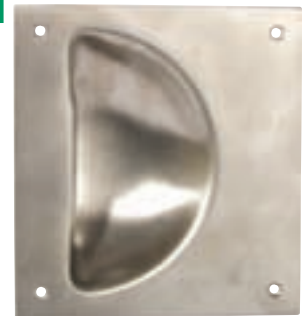
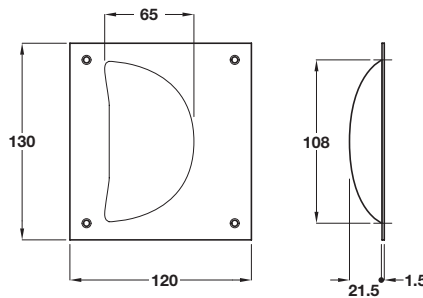
K W S

B Stainless steel flush pull

- 130 x 120 x 24 mm
- Suitable for use on swing and sliding timber doors
- Fixings included
- Grade 304 stainless steel

Finish	Cat. No.
Dull brushed stainless steel	902.00.560

Order qty: 1 pc



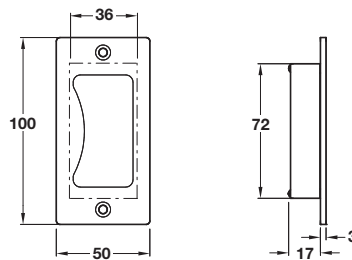
Satin stainless steel finish

C Stainless steel flush pull

- 100 x 50 x 21 mm
- Suitable for use on sliding timber doors
- Fixings included
- Grade 316 stainless steel
- Other finishes available to order, subject to quantity

Finish	Cat. No.
Satin stainless steel	902.00.570

Order qty: 1 pc



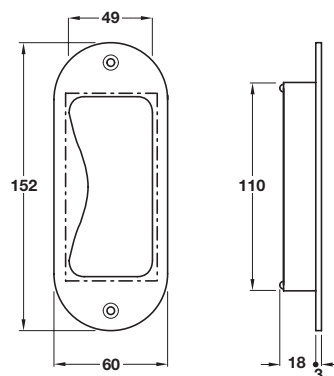
Polished stainless steel finish

D Stainless steel flush pull

- 152 x 60 x 21 mm
- Suitable for use on swing and sliding timber doors
- Fixings included
- Grade 316 stainless steel

Finish	Cat. No.
Satin stainless steel	902.04.320
Polished stainless steel	902.04.321

Order qty: 1 pc



Satin stainless steel finish

E Stainless steel flush pull

- Ø 90 x 21 mm
- Suitable for use on swing and sliding timber doors
- Fixings included
- Grade 316 stainless steel

Finish	Cat. No.
Satin stainless steel	902.00.500
Polished stainless steel	902.00.501

Order qty: 1 pc

