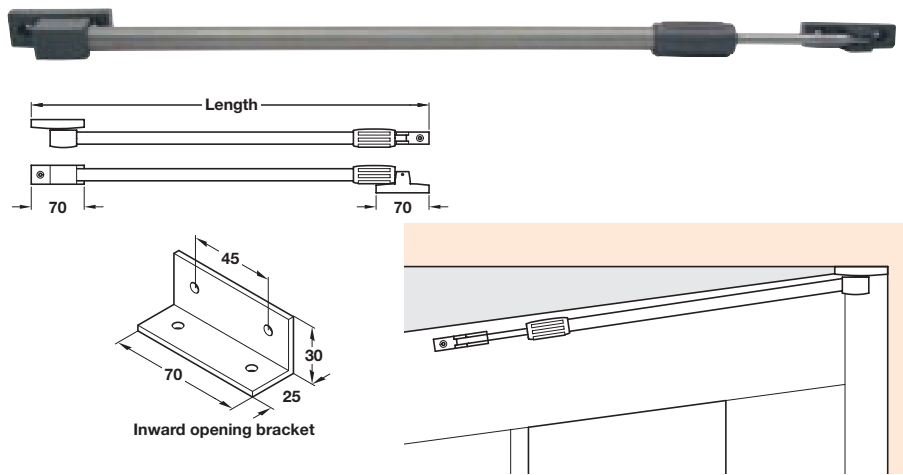


A Overhead friction stay, telescopic

- Surface mounted
- Friction adjusted by grooved plastic collar
- Inward opening bracket included
- Steel

Length	375-533 mm	516-767 mm
To suit door width	500-700 mm	700-910 mm
Finish		
Brass	938.20.035	938.20.045
Silver-grey	938.20.039	938.20.049
Stainless st. effect	938.20.030	938.20.040

Order qty: 1 pc



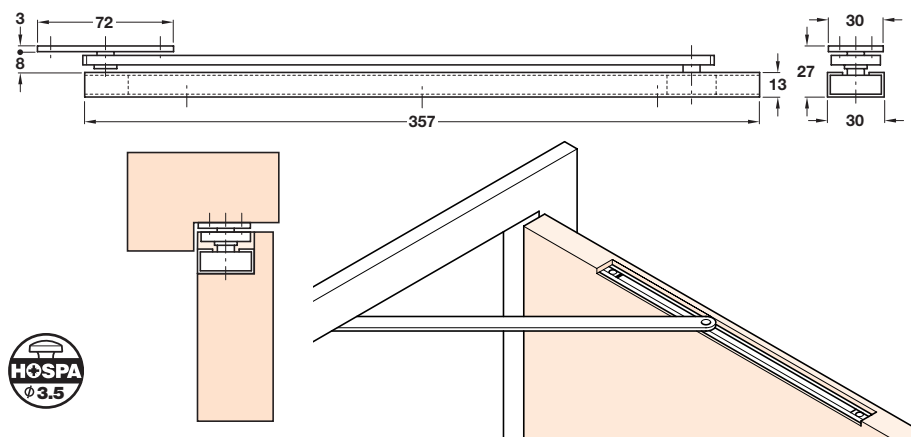
4

B Mortise overhead limit stay

- To prevent door opening beyond 90°, where there is no stop fitted (not subject to high winds)
- Suitable for single and double action doors
- Reversing the channel will allow hold open or non-hold open facility
- Fixings not included
- Zinc-plated steel

Cat. No.	911.52.149
----------	------------

Order qty: 1 pc

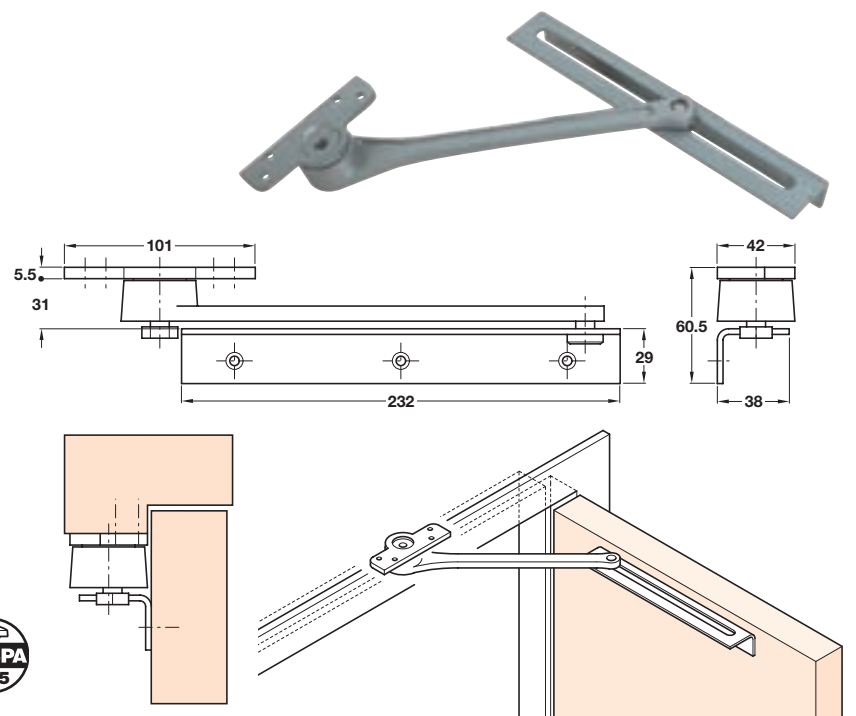


C Surface overhead friction stay

- Heavy duty for outward opening doors
- Friction controlled by nut on plate
- Prevents door opening beyond 90°
- Single action doors only
- Fixings not included
- Zinc-plated steel

Cat. No.	911.52.389
----------	------------

Order qty: 1 pc



TCH-A1 2008, HUK. Dimensional data not binding. We reserve the right to alter specifications without notice.