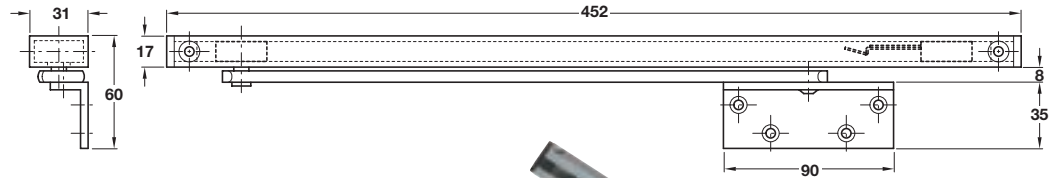
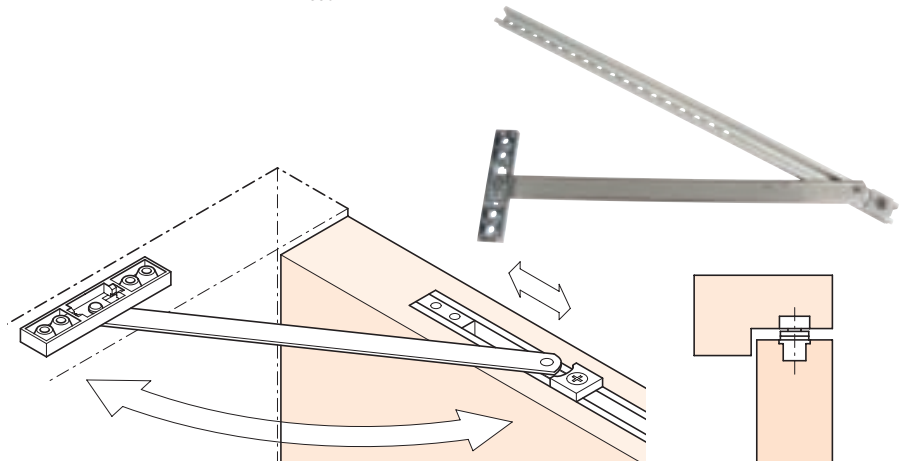


## A Overhead door stop and holder

- Adjustable stop position
- Opening angle up to **125°**
- Adjustable friction
- Fits standard Euro groove
- Detachable arm for maintenance
- Easy installation
- Suitable for timber, aluminium or PVCu
- Stainless steel and aluminium

Finish	Cat. No.
Silver	938.33.000

Order qty: 1 pc

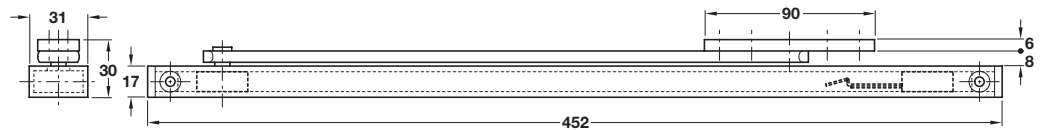
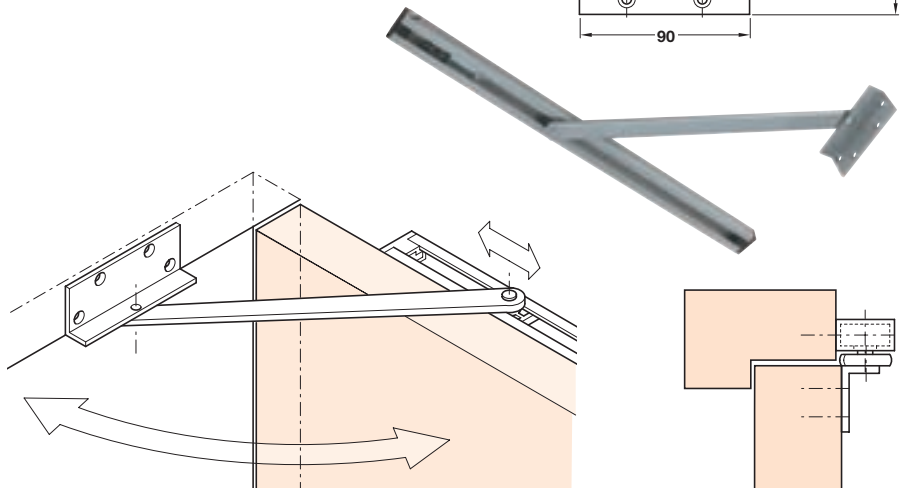


## B Overhead door holder

- To suit inward opening doors, pull side
- Recommended minimum door width **750 mm**
- Suitable for light and medium duty timber or metal doors
- Reversible
- Can be fitted with or without hold-open feature
- Hold-open angle **90° to 130°**
- Limit angle **90° to 150°**
- Fixings included
- Self lubricating plastic slide block
- Anodised aluminium extruded channel, steel arm and plates

Finish	Cat. No.
Silver	931.95.920

Order qty: 1 pc

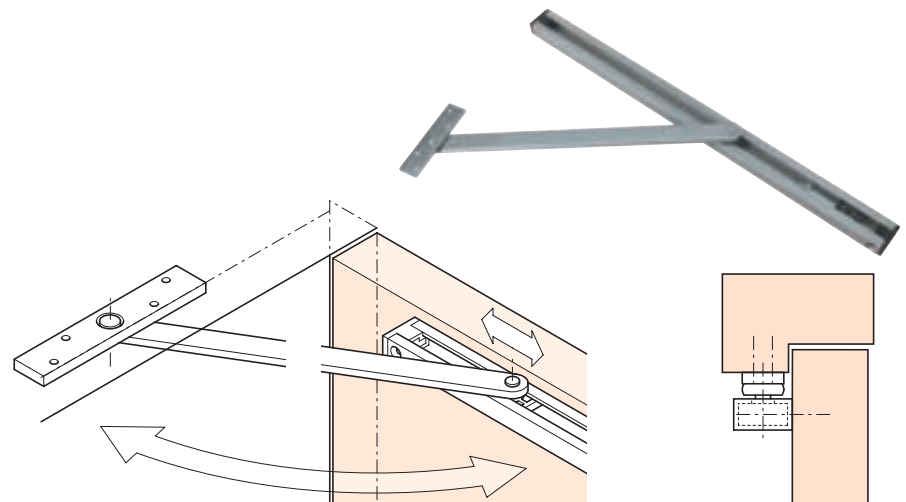


## C Overhead door holder

- To suit outward opening doors, push side
- Recommended minimum door width **750 mm**
- Suitable for light and medium duty timber or metal doors (not subject to high wind)
- Reversible
- Can be fitted with or without hold-open feature
- Maximum opening angle **90°**
- Limit angle **90° to 150°**
- Fixings included
- Self lubricating plastic slide block
- Anodised aluminium extruded channel, steel arm and plates

Finish	Cat. No.
Silver	931.95.921

Order qty: 1 pc



TCH-A1 2008, HUK. Dimensional data not binding. We reserve the right to alter specifications without notice.

4