

Panic hardware maintenance

It is important that all panic and emergency exit hardware devices are inspected and maintained properly to ensure safety is maintained when exiting a building in any situation.

Once a device is fitted, regular maintenance is recommended.

Weekly:

- Make sure the exit device functions correctly
- Any fixings that have worked loose should be re-secured
- Any damaged components should be replaced
- Ensure there are no obstructions which prevent the panic unit from functioning correctly

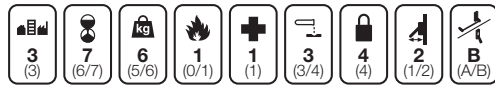
Every three months:

- Check for wear, any visible worn components should be replaced

For further information on **BS EN 179**, please refer to the Standards pages shown at the back of this catalogue

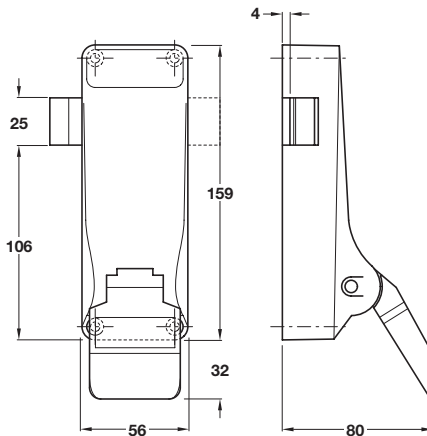


BS EN 179:1998 A1:2001



A Push pad panic latch

- For single outward opening doors
- Suits either hand
- Exit only
- Tested and approved to BS EN 179
- Certifire approved; certificate no. CF392 60 mins for timber doors
- Fixings included, for timber doors
- Self adhesive vinyl 'Push bar to open' sign included
- Diecast aluminium and mild steel. Epoxy powder coated finish
- **Please note:**
We strongly recommend the use of hinge bolts or security hinges with panic hardware
- Other finishes available to order, subject to quantity
- May be used with rim cylinder for external access
- For external access devices to suit, please refer to page **49**
- For screw fixing versions of signage associated with panic exit devices, i.e. 'Push pad to open' and 'Fire escape keep clear' refer to pages **10** and **12**

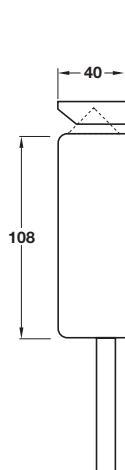


Finish	Cat. No.
Silver grey	911.52.369

Order qty: 1 pc

B Vertical Pullman catch kits

- For use with panic bolts, see pages **44-46**
- Increased security
- Provides smooth and quiet operation
- Comprises:
 - 1 x pair Pullman catches
 - 1 x pair of strike plates
 - 1 x pair of plugs
 - 1 x Spacer
- Fixing screws
- Stainless steel with aluminium cover
- Other finishes available to order (only available complete with panic bolt), subject to quantity



Finish	Cat. No.
Silver	911.52.352
Satin stainless steel	911.52.350
Polished stainless steel	911.52.351

Order qty: 1 pc



TCH-A1 2008, HUK. Dimensional data not binding. We reserve the right to alter specifications without notice.