

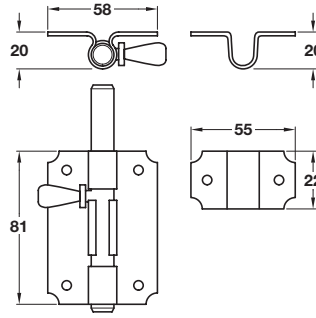
Stainless steel finish

### A Stainless steel tower bolt

- Staple included
- Ø 12 mm shoot
- Fixing screws not included. Recommended clutch head screw; shoulder size Ø 4.8 mm (see page 150 for details)
- Grade 316 stainless steel

Finish	Cat. No.
Stainless steel	911.62.551

Order qty: 1 pc



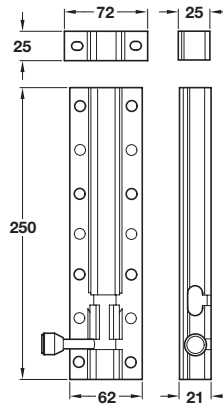
Pewter finish

### B Steel heavy duty tower bolt

- Staple included
- Strong steel components
- Fixing screws included
- Smooth action electro galvanized shoot
- Internal or external use
- Staple variations available to special order subject to quantity
- Mild steel, epoxy powder coated

Finish	Cat. No.
Pewter	911.62.550

Order qty: 1 pc



Galvanized steel finish

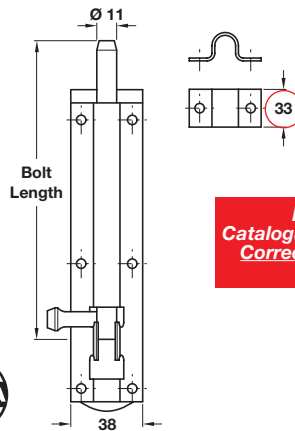
### Hospa screws, pan head

Hospa pan head screws, Ø 4.0 x 30 mm with cross-slots. Steel



Finish	Cat. No.
Zinc plated	015.71.866

Order qty: Multiples of 1000 pcs



**Item C.**  
Catalogue shows 19 mm  
Correct dimension is 33 mm

### C Steel tower bolt, straight

- Face fixing
- Staple included
- Fixing screws not included
- Mild steel, electro galvanized

**Item C.**  
Catalogue shows 152 mm  
Correct dimension is 160 mm

Bolt length	Cat. No.
160 mm	911.62.487
203 mm	911.62.488

Order qty: 1 pc



Galvanized steel finish

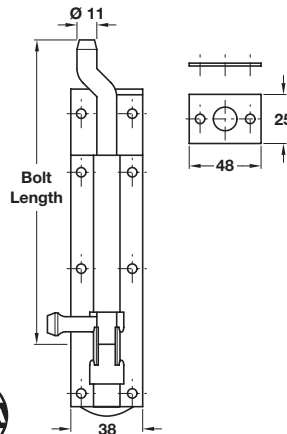
### Hospa screws, pan head

Hospa pan head screws, Ø 4.0 x 30 mm with cross-slots. Steel



Finish	Cat. No.
Zinc plated	015.71.866

Order qty: Multiples of 1000 pcs



### D Steel tower bolt, necked

- Face fixing
- Staple included
- Fixing screws not included
- Mild steel, electro galvanized

Bolt length	Cat. No.
152 mm	911.62.489
203 mm	911.62.490

Order qty: 1 pc



05.11.09/2\*

TCH-A1 2008, HUK. Dimensional data not binding. We reserve the right to alter specifications without notice.