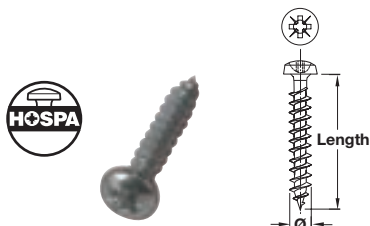


Fixing Materials Pan, Flat, Raised and Countersunk Head Hospa Screws

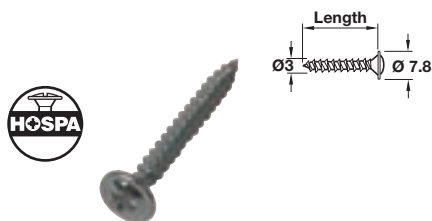
Please order screws in multiples of order quantity shown.



A Hospa screw, pan head

- Zinc plated steel screws
- With cross-slot head

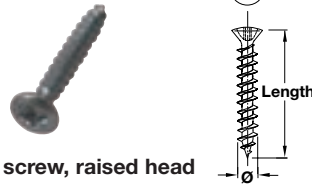
Øx	Length	Cat. No.	Order qty
3.0x 13 mm		015.71.526	1000
3.0x 15 mm		015.71.535	1000
3.0x 17 mm		015.71.544	1000
3.0x 20 mm		015.71.553	1000
3.0x 25 mm		015.71.571	1000
3.5x 13 mm		015.71.624	1000
3.5x 15 mm		015.71.633	1000
3.5x 17 mm		015.71.642	1000
3.5x 20 mm		015.71.651	1000
3.5x 25 mm		015.71.679	1000
3.5x 30 mm		015.71.688	1000
3.5x 35 mm		015.71.697	1000
4.0x 13 mm		015.71.811	1000
4.0x 15 mm		015.71.820	1000
4.0x 17 mm		015.71.839	1000
4.0x 20 mm		015.71.848	1000
4.0x 25 mm		015.71.857	1000
4.0x 30 mm		015.71.866	1000
4.0x 35 mm		015.71.875	500
4.0x 40 mm		015.71.884	500
4.5x 13 mm		015.71.900	1000
4.5x 15 mm		015.71.919	1000
4.5x 17 mm		015.71.991	1000
4.5x 20 mm		015.71.928	1000
4.5x 25 mm		015.71.937	1000
4.5x 30 mm		015.71.946	500
4.5x 35 mm		015.71.955	500
5.0x 20 mm		015.72.078	500
5.0x 30 mm		015.72.096	500
5.0x 40 mm		015.72.112	500
5.0x 50 mm		015.72.130	200



B Hospa screw, flat head

- Zinc plated steel screws
 - With cross-slot head
- Ø 3.0 screws have Ø 8.0 head
Ø 3.5 screws have Ø 8.6 head
Ø 4.0 screws have Ø 9.4 head

Øx	Length	Cat. No.	Order qty
3.0x 20 mm		016.10.555	1000
3.0x 25 mm		016.10.573	1000
3.5x 25 mm		016.10.671	1000
3.5x 30 mm		016.10.680	1000
3.5x 35 mm		016.10.699	1000
4.0x 20 mm		016.10.840	1000
4.0x 25 mm		016.10.859	1000
4.0x 35 mm		016.10.877	500
4.0x 40 mm		016.10.886	500



C Hospa screw, raised head

- Zinc plated steel screws
- With cross-slot head

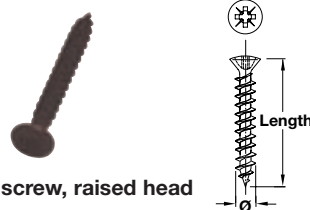
Øx	Length	Cat. No.	Order qty
3.0x 13 mm		015.51.524	1000
3.0x 17 mm		015.51.542	1000
3.5x 15 mm		015.51.631	1000
3.5x 17 mm		015.51.640	1000
3.5x 20 mm		015.51.659	1000
3.5x 35 mm		015.51.695	1000
4.0x 17 mm		015.51.837	1000
4.0x 20 mm		015.51.846	1000
4.0x 25 mm		015.51.855	1000
4.0x 30 mm		015.51.864	1000
4.0x 35 mm		015.51.873	500
4.0x 40 mm		015.51.882	500



D Hospa screw, raised head

- Nickel plated steel screws
- With cross-slot head

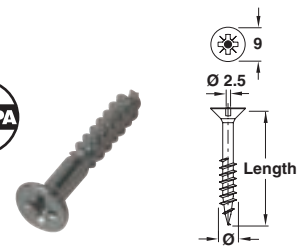
Øx	Length	Cat. No.	Order qty
3.0x 15 mm		015.55.531	1000
3.0x 17 mm		015.55.540	1000
3.0x 20 mm		015.55.559	1000
3.0x 25 mm		015.55.577	1000
3.0x 30 mm		015.55.586	1000
3.5x 15 mm		015.55.639	1000
3.5x 17 mm		015.55.648	1000
3.5x 20 mm		015.55.657	1000
3.5x 25 mm		015.55.675	1000
3.5x 30 mm		015.55.684	1000
3.5x 35 mm		015.55.693	1000
4.0x 20 mm		015.55.844	1000
4.0x 25 mm		015.55.853	1000
4.0x 30 mm		015.55.862	1000
4.0x 35 mm		015.55.871	500
4.0x 40 mm		015.55.880	500



E Hospa screw, raised head

- Bronzed steel screws
- With cross-slot head

Øx	Length	Cat. No.	Order qty
3.5x 15 mm		015.59.637	1000
3.5x 17 mm		015.59.646	1000
3.5x 20 mm		015.59.655	1000
3.5x 25 mm		015.59.673	1000
3.5x 30 mm		015.59.682	1000
4.0x 35 mm		015.59.879	500
4.0x 40 mm		015.59.888	500



F Hospa screw, short thread

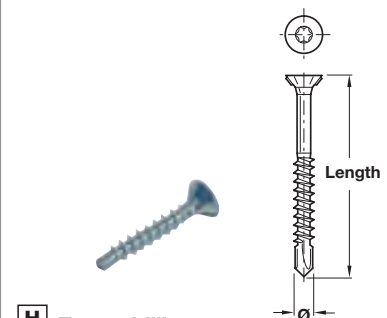
- Zinc plated steel
- With short thread
- Countersunk head with cross-slot head
- Trim caps for these screws shown below

Øx	Length	Cat. No.	Order qty
4.5x 25 mm		015.01.935	1000
4.5x 30 mm		015.01.944	1000
4.5x 35 mm		015.01.953	500
4.5x 40 mm		015.01.962	500
4.5x 45 mm		015.01.971	500
4.5x 50 mm		015.01.980	200

G Trim cap

- Plastic trim caps for countersunk screws shown above

Colour	Cat. No.	Order qty
White	045.04.705	500
Pine	045.04.009	500
Brown	045.04.107	500
Black	045.04.303	500



H T-star drilling screw

- Countersunk head with routed ribs
- Torque: Internal cross IS
- Partly threaded screw with drill in tip
- Screw can be inserted without pre-drilling the panel
- Galvanized hardened steel
- For use with TS20 bit: information on request

Øx	Length	Cat. No.	Order qty
4.0x 25 mm		019.01.900	1000
4.0x 30 mm		019.01.901	1000
4.0x 35 mm		019.01.902	1000
4.0x 40 mm		019.01.903	500
4.0x 45 mm		019.01.904	500
4.0x 50 mm		019.01.905	500
4.0x 60 mm		019.01.907	500
4.0x 70 mm		019.01.908	200
4.5x 45 mm		019.01.922	200
4.5x 50 mm		019.01.923	500
4.5x 60 mm		019.01.924	500
5.0x 50 mm		019.01.941	500
5.0x 70 mm		019.01.943	200
5.0x 80 mm		019.01.944	200