

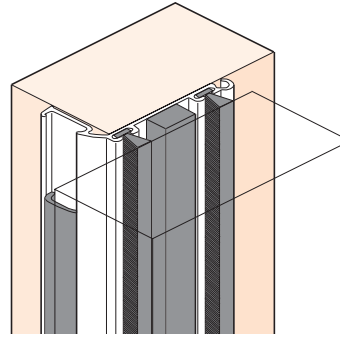
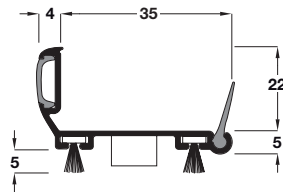


A Sliding door seal

- Suitable for noise leakage, dust control and air movement
- Easily installed on either door or frame
- Gap - minimum 6 mm, maximum 8 mm
- Available in 2 lengths
- Use in conjunction with brush seals fitted to bottom of door (see page 128)
- Aluminium, clear anodised, brush and vinyl seals

Length	Cat. No.
1000 mm	950.14.131
2250 mm	950.14.132

Order qty: 1 pc



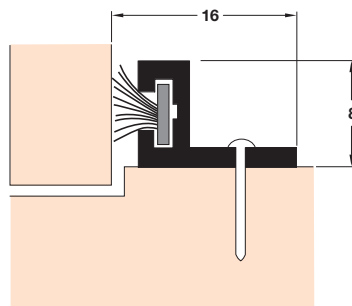
4

B Slide-pile weather strip

- Suitable for both hinged and sliding doors, windows. Inward or outward opening
- Suitability: Residential, commercial and public, industrial and normal site conditions
- Resilient polypropylene pile in aluminium carrier
- Stainless steel pin fixing included
- 2134 mm length
- Aluminium carrier, polypropylene pile seal

Cat. No.	950.17.270
----------	------------

Order qty: 1 pc (= 2134 mm length)

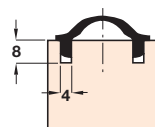


C Sealing and buffer profile

- Installed in two grooves in the front edge of sliding doors,
- Profile strip absorbs impact noise and prevents possible finger injury from forceful closing
- Seals the door when closed
- 5 m length
- Brown, black or white neoprene

Finish	Cat. No.
Brown	940.00.521
Black	940.00.530
White	940.00.549

Order qty: 1 roll (= 5 m length)



The door requires two grooves to accommodate the profile. The bulge of the profile is determined by the interval between the gaps

