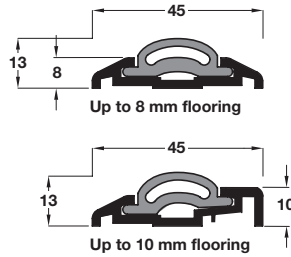


**A Sealmaster 'Cyclone' threshold seal**

- Low profile, compliance with Document 'M'
- Suitable for external inward and outward opening doors
- For use with the weatherboards below
- Aluminium, clear anodised

Type	1 m	2 m
Up to 8 mm flooring	950.21.311	950.21.312
Up to 10 mm flooring	950.21.321	950.21.322

Order qty: 1 pc (1 or 2 m lengths)

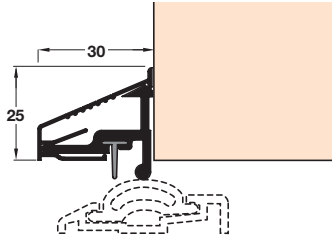


**B Sealmaster 'Cyclone' weatherboard**

- All metal construction
- Clip-on cover
- Dual seals
- Screw fixing
- To be used in conjunction with item A
- 1 m length
- Aluminium, clear anodised

Cat. No.	950.21.349
----------	------------

Order qty: 1 pc

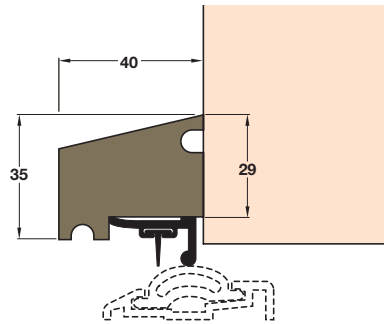


**C Sealmaster 'Cyclone' weatherboard**

- Timber with aluminium section
- 3 types of timber
- Dual seals
- Flat profile
- To be used in conjunction with item A
- 1 m length
- Timber and aluminium, clear anodised

Timber	Cat. No.
Soft wood	950.21.358
Redwood	950.21.350
Oak	950.21.354

Order qty: 1 pc



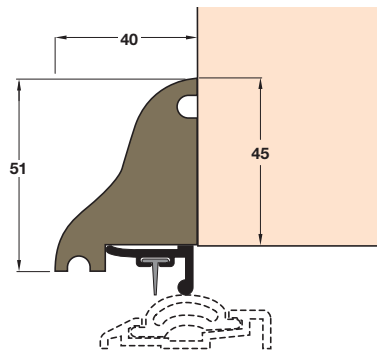
**D Sealmaster 'Cyclone' weatherboard**

- Timber with aluminium section
- 3 types of timber
- Dual seals
- Curved profile
- To be used in conjunction with item A
- 1 m length
- Timber and aluminium, clear anodised

Timber	Cat. No.
Soft wood	950.21.368
Redwood	950.21.360
Oak	950.21.364

Order qty: 1 pc

**Item D.**  
Catalogue shows... '950.21.326'  
Correct No. is 950.21.368

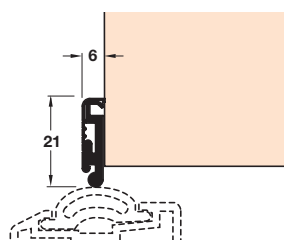


**E Sealmaster 'Cyclone' trim**

- All metal construction
- Clip-on cover
- Single seal
- Screw fixing
- To be used in conjunction with item A
- 1 m length
- Aluminium, clear anodised

Cat. No.	950.21.379
----------	------------

Order qty: 1 pc



26.08.09/1\*