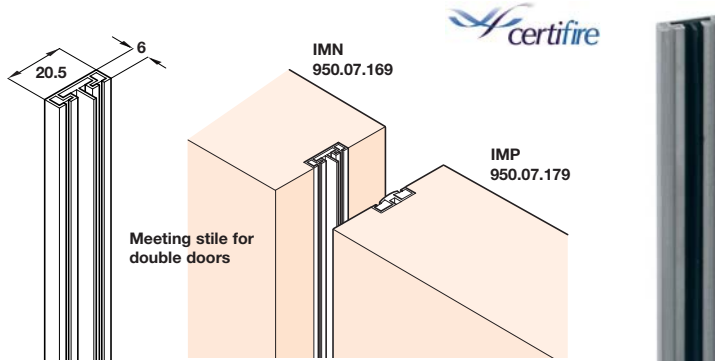


## A IMN Intumescent strip with neoprene blade

- Fire and smoke seal
- For double door applications in conjunction with item B
- **30 minute fire rating** when used with item B
- Fixing with pins supplied
- Supplied in 1050 mm lengths
- Conforms to BS 476 Part 22
- Certifire approved, certificate No. CF462
- Aluminium carrier, neoprene blade

Finish	Cat. No.
Anodised aluminium	950.07.169

Order qty: 1 pc

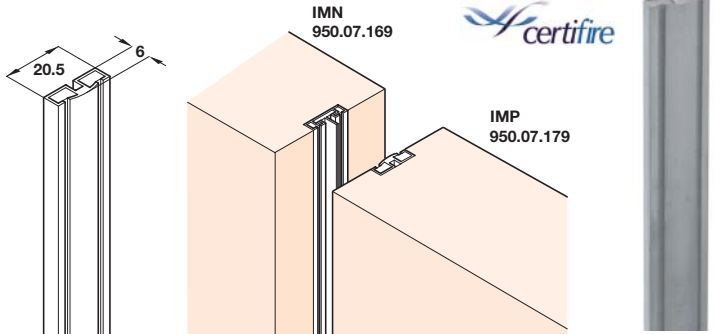


## B IMP Intumescent strip

- Fire and smoke seal
- For double door applications in conjunction with item A
- **30 minute fire rating** when used with item A
- Fixing with pins supplied
- Supplied in 1050 mm lengths
- Conforms to BS 476 Part 22
- Certifire approved, certificate No. CF462
- Aluminium carrier, neoprene blade

Finish	Cat. No.
Anodised aluminum	950.07.179

Order qty: 1 pc



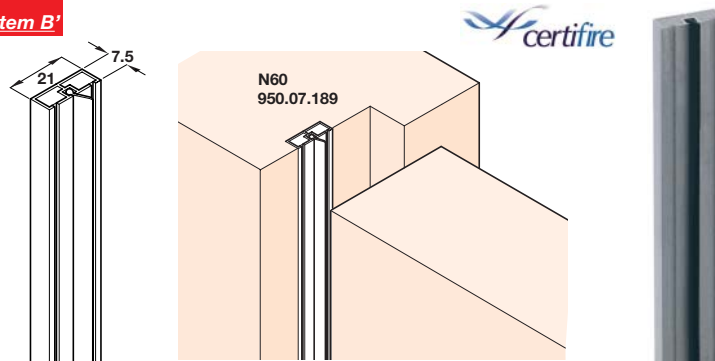
**Item C. Text removed**  
**'60 minute fire rating when used with item B'**

## C N60 Intumescent strip with neoprene blade

- Fire and smoke seal
- For single door applications only
- **60 minute fire rating**
- Fixing with pins supplied
- Supplied in 1050 mm lengths
- Conforms to BS 476 Part 22
- Certifire approved, certificate No. CF462
- Aluminium carrier, neoprene blade

Finish	Cat. No.
Anodised aluminium	950.07.189

Order qty: 1 pc

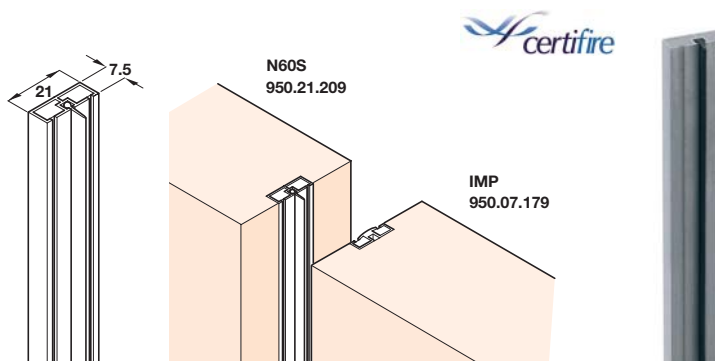


## D N60S Intumescent strip with neoprene blade

- Fire and smoke seal
- For double door applications in conjunction with item B
- **60 minute fire rating** when used with item B
- Fixing with pins supplied
- Supplied in 1050 mm lengths
- Conforms to BS 476 Part 22
- Certifire approved, certificate No. CF462
- Aluminium carrier, neoprene blade

Finish	Cat. No.
Anodised aluminium	950.21.209

Order qty: 1 pc

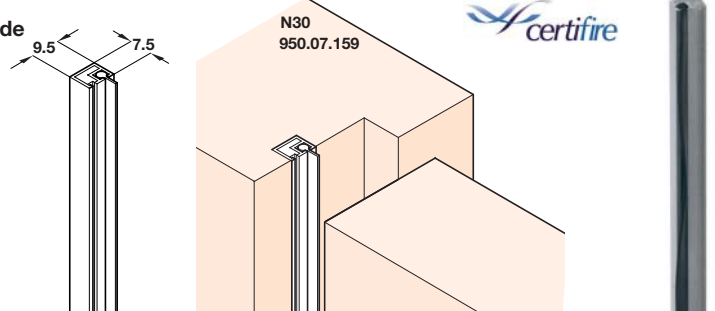


## E N30 Intumescent strip with neoprene blade

- Fire and smoke seal
- For single door applications only
- **30 minute fire rating**
- Fixing with pins supplied
- Supplied in 1050 mm lengths
- Conforms to BS 476 Part 22
- Certifire approved, certificate No. CF462
- Aluminium carrier, neoprene blade

Finish	Cat. No.
Anodised aluminium	950.07.159

Order qty: 1 pc



03.11.08/1\*