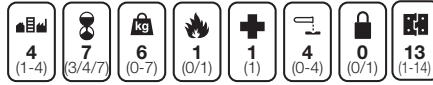


# Stainless Steel Butt Hinges Phoenix Range - Slimline

These hinges have obtained Certifire approval.  
Regular lubrication required.  
Fixings for timber included. Certifire rating for timber.

Refer to pages 2-3 for information on BS EN 1935,  
hinge grades and classification

## BS EN 1935

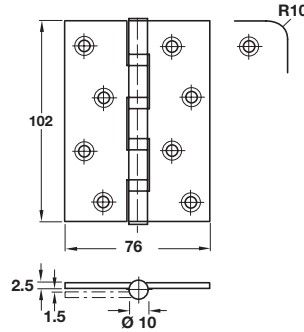


### A Slimline, stainless steel butt hinge

- Staggered hole pattern
- Grade **13** BS EN 1935
- Maximum adjusted door weight **120 kg**
- Minimum door thickness **35 mm**
- Square or radius corners
- Certifire approved; certificate no. CF351 30 mins
- Ø 5 x 30 mm wood screws included
- Grade 304 stainless steel

<b>Length x width</b>	<b>102 x 76 mm</b>	
<b>Square corners</b>	Satin	Polished
Stainless steel	921.08.140	926.91.041
Brass plated, electrophoretic finish	921.08.159	
<b>Radius corners</b>	Satin	Polished
Stainless steel	926.91.340	926.91.341
Brass plated, electrophoretic finish	926.91.348	

Order qty: 1 pc



Satin stainless steel finish shown  
Square corners

## BS EN 1935

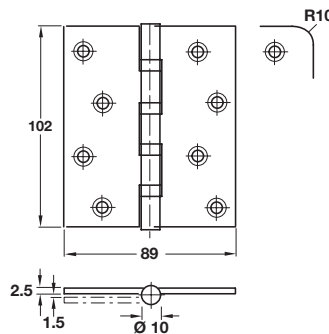


### B Slimline, stainless steel butt hinge

- Staggered hole pattern
- Grade **13** BS EN 1935
- Maximum adjusted door weight **120 kg**
- Minimum door thickness **44 mm**
- Square or radius corners
- Certifire approved; certificate no. CF351 30 mins
- Ø 5 x 30 mm wood screws included
- Grade 304 stainless steel

<b>Length x width</b>	<b>102 x 89 mm</b>	
<b>Square corners</b>	Satin	Polished
Stainless steel	926.91.350	926.91.351
Brass plated, electrophoretic finish	926.91.358	
<b>Radius corners</b>	Satin	Polished
Stainless steel	926.91.360	926.91.361
Brass plated, electrophoretic finish	926.91.368	

Order qty: 1 pc



Satin stainless steel finish shown  
Square corners

## BS EN 1935

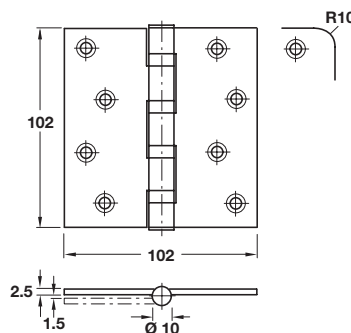


### C Slimline, stainless steel butt hinge

- Staggered hole pattern
- Grade **13** BS EN 1935
- Maximum adjusted door weight **120 kg**
- Minimum door thickness **44 mm**
- Square or radius corners
- Certifire approved; certificate no. CF351 30 mins
- Ø 5 x 30 mm wood screws included
- Grade 304 stainless steel

<b>Length x width</b>	<b>102 x 102 mm</b>	
<b>Square corners</b>	Satin	Polished
Stainless steel	921.08.168	926.91.051
Brass plated, electrophoretic finish	926.91.018	
<b>Radius corners</b>	Satin	Polished
Stainless steel	926.91.370	926.91.371
Brass plated, electrophoretic finish	926.91.378	

Order qty: 1 pc



Satin stainless steel finish shown  
Square corners