

Stainless Steel Butt Hinges

Phoenix Range - Concealed Bearing, Lift-Off

These hinges have obtained Certifire approval.
Maintenance free, 25 year performance guarantee.
Fixings for timber included. Certifire rating for timber.

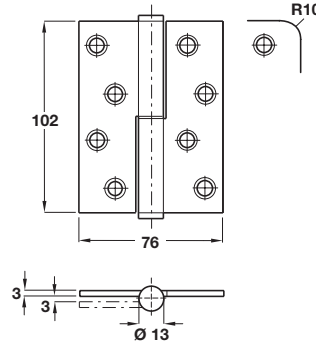


Refer to pages 2-3 for information on BS EN 1935, hinge grades and classification

A Stainless steel, concealed bearing, lift-off hinge

- Staggered hole pattern
- Grade 13 BS EN 1935
- Maximum adjusted door weight 120 kg
- Minimum door thickness 35 mm
- Square and radius corners
- Maintenance free
- 25 year performance guarantee
- Certifire approved; certificate no. CF351 30 mins
- Ø 5.5 x 30 mm wood screws included
- Grade 304 stainless steel

BS EN 1935



Satin stainless steel finish shown
Anti-clockwise closing
Square corners

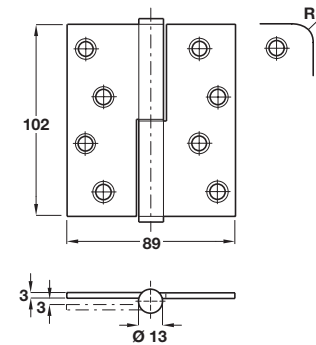
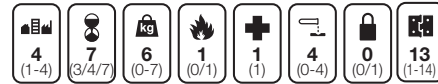
| | | |
|-----------------------|-------------|------------|
| Length x width | 102 x 76 mm | |
| Square corners | Satin | Polished |
| Clockwise closing | 926.91.240 | 926.91.241 |
| Anti-clockwise cl. | 926.91.242 | 926.91.243 |
| Radius corners | Satin | Polished |
| Clockwise closing | 926.91.250 | 926.91.251 |
| Anti-clockwise cl. | 926.91.252 | 926.91.253 |

Order qty: 1 pc

B Stainless steel, concealed bearing, lift-off hinge

- Staggered hole pattern
- Grade 13 BS EN 1935
- Maximum adjusted door weight 120 kg
- Minimum door thickness 44 mm
- Square and radius corners
- Maintenance free
- 25 year performance guarantee
- Certifire approved; certificate no. CF351 30 mins
- Ø 5.5 x 30 mm wood screws included
- Grade 304 stainless steel

BS EN 1935



Satin stainless steel finish shown
Anti-clockwise closing
Square corners

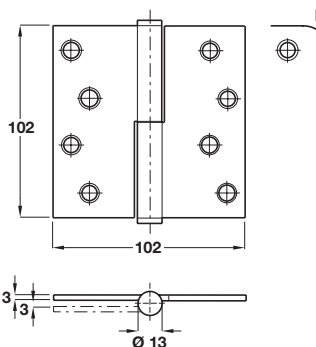
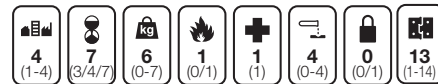
| | | |
|-----------------------|-------------|------------|
| Length x width | 102 x 89 mm | |
| Square corners | Satin | Polished |
| Clockwise closing | 926.91.260 | 926.91.261 |
| Anti-clockwise cl. | 926.91.262 | 926.91.263 |
| Radius corners | Satin | Polished |
| Clockwise closing | 926.91.270 | 926.91.271 |
| Anti-clockwise cl. | 926.91.272 | 926.91.273 |

Order qty: 1 pc

C Stainless steel, concealed bearing, lift-off hinge

- Staggered hole pattern
- Grade 13 BS EN 1935
- Maximum adjusted door weight 120 kg
- Minimum door thickness 44 mm
- Square and radius corners
- Maintenance free
- 25 year performance guarantee
- Certifire approved; certificate no. CF351 30 mins
- Ø 5.5 x 30 mm wood screws included
- Grade 304 stainless steel

BS EN 1935



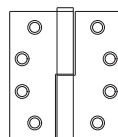
Satin stainless steel finish shown
Anti-clockwise closing
Square corners

| | | |
|-----------------------|--------------|------------|
| Length x width | 102 x 102 mm | |
| Square corners | Satin | Polished |
| Clockwise closing | 926.91.280 | 926.91.281 |
| Anti-clockwise cl. | 926.91.282 | 926.91.283 |
| Radius corners | Satin | Polished |
| Clockwise closing | 926.91.290 | 926.91.291 |
| Anti-clockwise cl. | 926.91.292 | 926.91.293 |

Order qty: 1 pc

Variants available to order, subject to quantity:

ANSI hole pattern
Also available in grade 316 stainless steel or mild steel.



ANSI hole pattern

TCH-A1 2008, HUK. Dimensional data not binding. We reserve the right to alter specifications without notice.

3