

Routing jigs are shown on page 64

Regular lubrication required

Soss hinge selection guide shown on page 60

A Soss hinge 218

- To suit door thickness **41-45 mm**
- 4.5 x 40 mm wood fixing screws included
- Not fire rated

Zinc alloy body, brass plated steel links

Body finish	A/B	Cat. No.
Brass plated	10.3/40.5 mm	341.07.570

Order qty: 1 pc

Zinc alloy body, nickel plated steel links

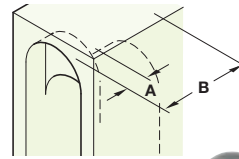
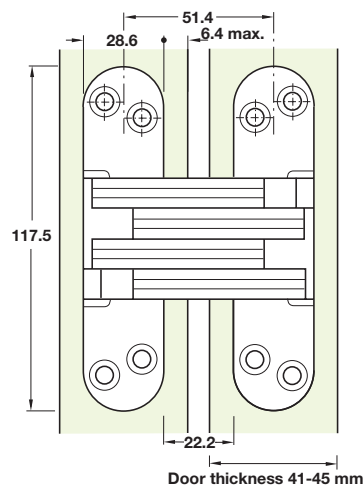
Body finish	A/B	Cat. No.
Nickel plated	10.3/40.5 mm	341.07.770

Order qty: 1 pc

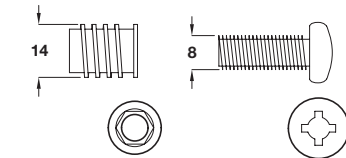
Zinc alloy body, stainless steel links

Body finish	A/B	Cat. No.
Nickel plated	10.3/40.5 mm	341.07.090

Order qty: 1 pc



Nickel plated finish with nickel plated links shown



B Soss hinge 218A

- Allows 6 mm vertical and 3 mm depth adjustment
- To suit door thickness **41-45 mm**
- 1/2 hour fire rated
- Fixings are included

Zinc alloy body, brass plated steel links

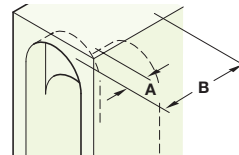
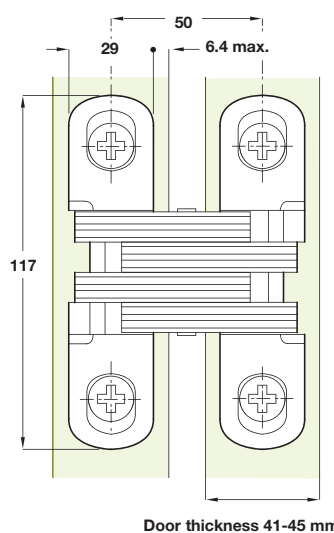
Body finish	A/B	Cat. No.
Brass plated	10.3/40.5 mm	927.50.405

Order qty: 1 pc

Zinc alloy body, nickel plated steel links

Body finish	A/B	Cat. No.
Nickel plated	10.3/40.5 mm	927.50.407

Order qty: 1 pc



Nickel plated finish with nickel plated links shown

C Soss hinge 216

- To suit door thickness **35-38 mm**
- 6.0 x 40 mm wood fixing screws included

Zinc alloy body, brass plated steel links

Body finish	A/B	Cat. No.
Brass plated	12/36.5 mm	341.07.563

Order qty: 1 pc

Zinc alloy body, nickel plated steel links

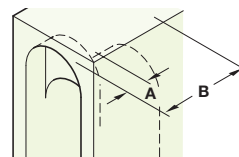
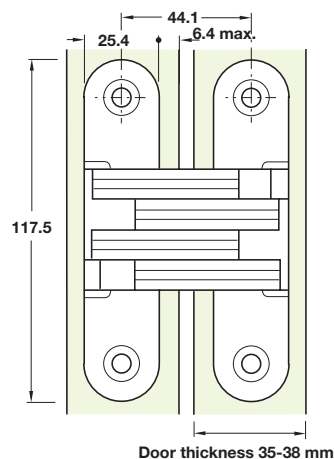
Body finish	A/B	Cat. No.
Nickel plated	12/36.5 mm	341.07.763

Order qty: 1 pc

Solid stainless steel body, stainless steel links

Body finish	A/B	Cat. No.
Stainless steel	12/36.5 mm	341.07.063

Order qty: 1 pc



Brass plated finish with brass plated links shown

TCH-A1 2008, HUK. Dimensional data not binding. We reserve the right to alter specifications without notice.