

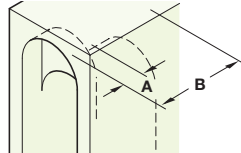
Concealed Mortise Hinges Soss

- **Soss hinges**
 - 180° angle of opening*
 - Ideal for timber or metal doors where robust usage required
 - Concealed installation acts as vandal deterrent
 - Stainless steel version for corrosion resistance
- *Providing no obstructions

Routing jigs are shown on page 64
Soss hinge selection guide shown on page 60



Regular lubrication required



A Soss hinge 220

- To suit door thickness **48-51 mm**
- 5.5 x 38 mm wood fixing screws included

Zinc alloy body, plated steel links

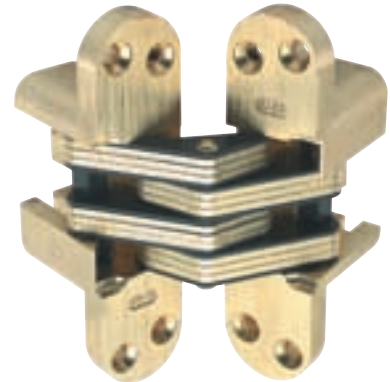
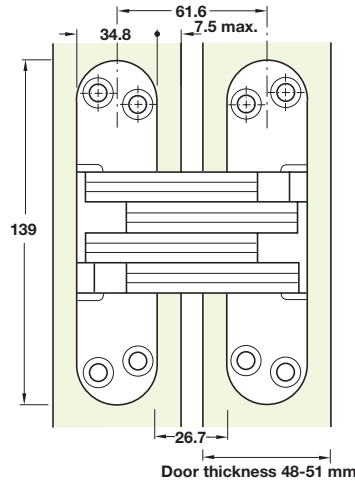
Body finish	A/B	Cat. No.
Brass plated	11.8/49.2 mm	341.07.581
Nickel plated	11.8/49.2 mm	341.07.781

Order qty: 1 pc

Solid stainless steel body, stainless steel links

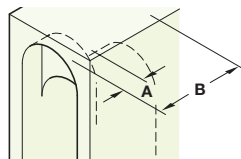
Body finish	A/B	Cat. No.
Stainless steel	11.8/49.2 mm	341.07.081

Order qty: 1 pc



Brass-plated finish with brass-plated links shown

3



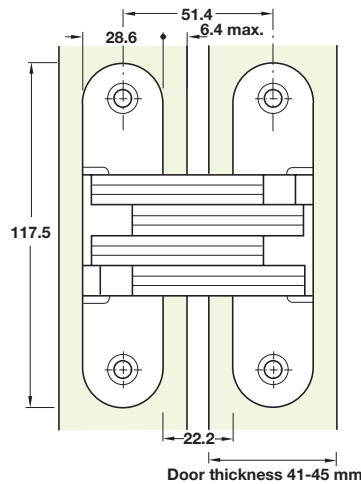
B Soss hinge 218

- To suit door thickness **41-45 mm**
- **1 hour fire rated. Tested by Chiltern Fire Research Station** in accordance with BS 476: PT22: 1987 section
- 4.5 x 40 mm wood fixing screws included

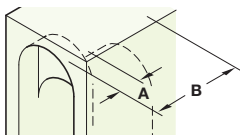
Solid stainless steel body, stainless steel links

Body finish	A/B	Cat. No.
Stainless steel	10.3/40.5 mm	341.07.070

Order qty: 1 pc



Stainless steel finish with stainless steel links shown



C Soss hinges 218F

- For door thickness **41-45 mm**
- **1/2 hour fire rated. Tested by Warrington Fire Research Centre Ltd** in accordance with BS 476: PT22: 1987 section 6
- 4.5 x 40 mm wood fixing screws included

Zinc alloy steel body, nickel plated steel links

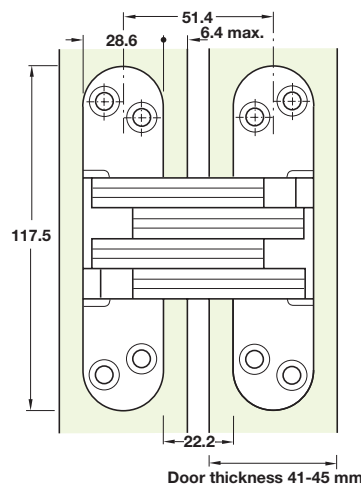
Body finish	A/B	Cat. No.
Nickel plated	10.3/40.5 mm	341.07.772

Order qty: 1 pc

Zinc alloy steel body, brass plated steel links

Body finish	A/B	Cat. No.
Brass plated	10.3/40.5 mm	341.07.572

Order qty: 1 pc



Nickel plated finish with nickel plated links shown