

Stainless Steel Butt Hinges

Phoenix Range - Concealed Bearing

These hinges have obtained Certifire approval.
Maintenance free, 25 year performance guarantee.
Fixings for timber included. Certifire rating for timber.

Refer to pages 2-3 for information on BS EN 1935, hinge grades and classification

3

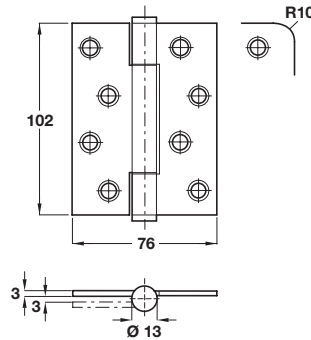
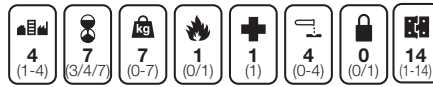
A Stainless steel, fixed pin, 3 knuckle, concealed bearing butt hinge

- Staggered hole pattern
- Grade **14** BS EN 1935
- Maximum adjusted door weight **160 kg**
- Minimum door thickness **35 mm**
- Square and radius corners
- Maintenance free
- **25** year performance guarantee
- Certifire approved; certificate no. CF351 30 mins
- Ø 5.5 x 30 mm wood screws included
- Grade 304 stainless steel

Length x width	102 x 76 mm	
Finish	Satin	Polished
Square corners	926.91.180	926.91.181
Radius corners	926.91.190	926.91.191

Order qty: 1 pc

BS EN 1935



Satin stainless steel finish shown

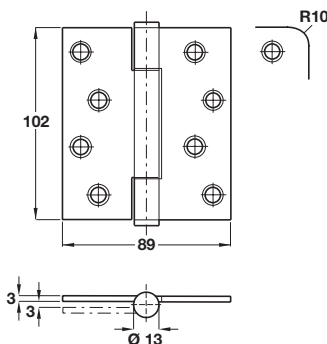
B Stainless steel, fixed pin, 3 knuckle, concealed bearing butt hinge

- Staggered hole pattern
- Grade **14** BS EN 1935
- Maximum adjusted door weight **160 kg**
- Minimum door thickness **44 mm**
- Square and radius corners
- Maintenance free
- **25** year performance guarantee
- Certifire approved; certificate no. CF351 30 mins
- Ø 5.5 x 30 mm wood screws included
- Grade 304 stainless steel

Length x width	102 x 89 mm	
Finish	Satin	Polished
Square corners	926.91.200	926.91.201
Radius corners	926.91.210	926.91.211

Order qty: 1 pc

BS EN 1935



Satin stainless steel finish shown

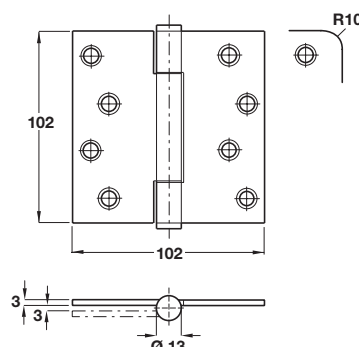
C Stainless steel, fixed pin, 3 knuckle, concealed bearing butt hinge

- Staggered hole pattern
- Grade **14** BS EN 1935
- Maximum adjusted door weight **160 kg**
- Minimum door thickness **44 mm**
- Square and radius corners
- Maintenance free
- **25** year performance guarantee
- Certifire approved; certificate no. CF351 30 mins
- Ø 5.5 x 30 mm wood screws included
- Grade 304 stainless steel

Length x width	102 x 102 mm	
Finish	Satin	Polished
Square corners	926.91.220	926.91.221
Radius corners	926.91.230	926.91.231

Order qty: 1 pc

BS EN 1935

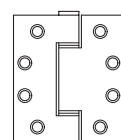


Satin stainless steel finish shown

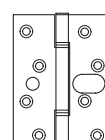
Variants available to order, subject to quantity:

- ANSI hole pattern
- Dog bolt (fixed pin only)
- Conductor (fixed pin only)
- Anti-ligature

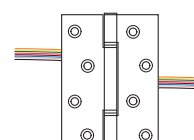
Also available in grade 316 stainless steel or mild steel.



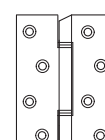
ANSI hole pattern



Dog bolt



Conductor



Anti-ligature

TCH-A1 2008, HUK. Dimensional data not binding. We reserve the right to alter specifications without notice.