

Regular lubrication required, unless marked 'maintenance free'.
Fixing screws are not included.

Important: The logo shown indicates the type and size of screw required, which must be ordered separately



Ideal for vandal resistant door applications



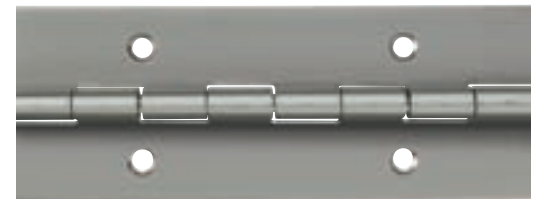
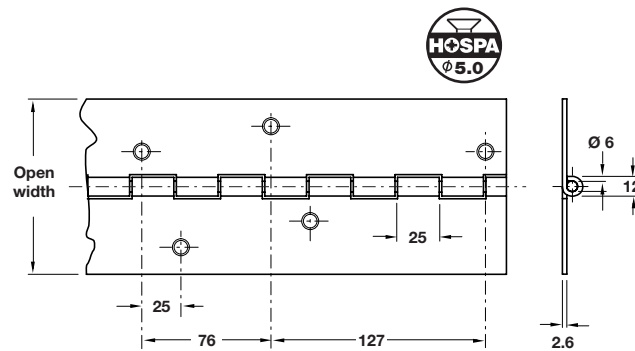
3

A Stainless steel continuous hinge

- 2134 mm length
- Heavy duty; max. adjusted door weight **120 kg**
- 42 holes per hinge
- CP grade **4**
- Ideal for vandal resistant door applications
- Avoids necessity for finger guards on pull side of door
- Stainless steel, mill finish, stainless steel pin

Length x open width	2134 x 101.6 mm
Cat. No.	351.12.000

Order qty: 1 pc (2134 mm length)

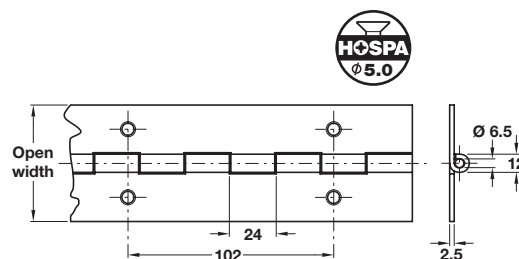


B Stainless steel continuous hinge

- 2000 mm length
- Heavy duty; max. adjusted door weight **120 kg**
- 40 holes per hinge
- CP grade **4**
- Ideal for vandal resistant door applications
- Avoids the necessity for finger guards on pull side of door
- Stainless steel, mill finish, stainless steel pin

Length x open width	2000 x 76 mm
Cat. No.	926.91.170

Order qty: 1 pc (2000 mm length)



Hinge wood screws

Countersunk head with cross slot



Stainless steel

Ø x thread length	Cat. No.
4.0 x 20 mm	014.32.922
5.0 x 30 mm	014.32.941
6.0 x 30 mm	014.32.962

Order qty: Multiples of 200 pcs