

Steel Butt Hinges HI-LOAD Range

These hinges have obtained Certifire approval.
Maintenance free, 25 year performance guarantee.
All fixings for timber included.

Also available in stainless steel - refer to page 19 Refer to pages 2-3 for information on BS EN 1935, hinge grades and classification.

HI-LOAD hinges product guide: page 17

3

A Steel hinge, 3 knuckle, fixed pin

- Grade 13 BS EN 1935
- Maximum adjusted door weight **120 kg**
- Minimum door thickness **44 mm**
- Square and radius corners
- Maintenance free
- **25 year performance guarantee**
- Certifire CF209 approved for fire doors
- M5 x 30 mm wood screws included
- Mild steel

Length x width	100 x 88 mm	
Finish	Bright zinc	Electro brass
Square corners	926.88.005	926.88.009
Radius corners	926.88.235	926.88.239

Order qty: 1 pc

Intumescent pads

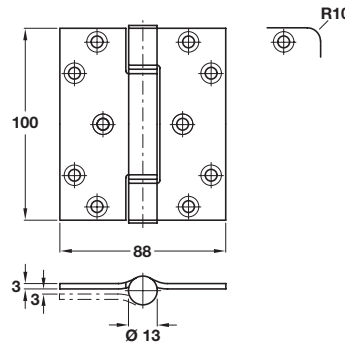
Cat. No.	950.08.413
----------	------------

Order qty: Multiples of 25 pcs (sufficient for 25 hinges)

BS EN 1935



RT



Bright zinc finish shown
Square corners

B Steel hinge, 3 knuckle, fixed pin

- Grade 12 BS EN 1935
- Maximum adjusted door weight **100 kg**
- Minimum door thickness **40 mm**
- Square and radius corners
- Maintenance free
- **25 year performance guarantee**
- Certifire CF209 approved for fire doors
- M5 x 30 mm wood screws included
- Mild steel

Length x width	100 x 86 mm	
Finish	Bright zinc	Electro brass
Square corners	926.88.015	926.88.019
Radius corners	926.88.245	926.88.249

Order qty: 1 pc

Intumescent pads

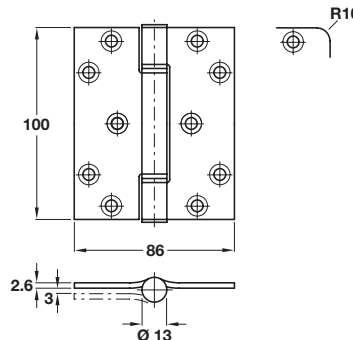
Cat. No.	950.08.413
----------	------------

Order qty: Multiples of 25 pcs (sufficient for 25 hinges)

BS EN 1935



RT



Bright zinc finish shown
Square corners

C Steel hinge, 3 knuckle, fixed pin

- Grade 11 BS EN 1935
- Maximum adjusted door weight **80 kg**
- Minimum door thickness **35 mm**
- Square and radius corners
- Maintenance free
- **25 year performance guarantee**
- Certifire CF209 approved for fire doors
- M5 x 30 mm wood screws included
- Mild steel

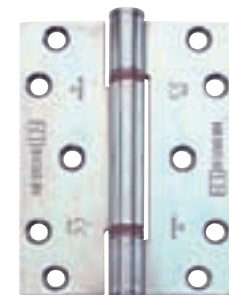
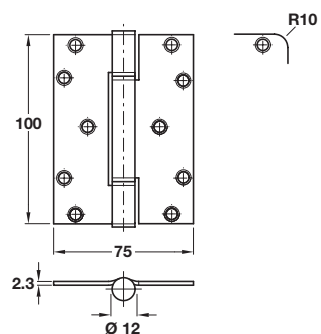
Length x width	100 x 75 mm	
Finish	Bright zinc	Electro brass
Square corners	926.88.135	926.88.139
Radius corners	926.88.255	926.88.259

Order qty: 1 pc

BS EN 1935



RT



Bright zinc finish shown
Square corners

TCH-A1 2008, HUK. Dimensional data not binding. We reserve the right to alter specifications without notice.