

# Brass Hinges Special Purpose

Regular lubrication required, unless marked 'maintenance free'.

Fixing screws are not included.

**Important:** The logo shown indicates the type and size of screw required, which must be ordered separately



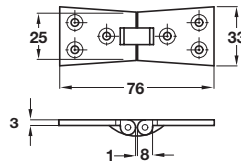
**Fixing screw** ordering information shown on page 36 and in Section 4, page x.

## A Brass counterflap hinge, 76 x 25 mm

- Maximum load capacity **5 kg**
- Brass pins
- Suitable for bar and shop counters
- Sets flush into timber counter
- Brass

Finish	Cat. No.
Polished brass	926.86.028
Polished chrome	926.86.022
Satin chrome	926.86.024
Imitation antique bronze	926.86.021

Order qty: 1 pc



Polished brass finish shown

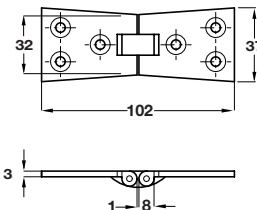


## B Brass counterflap hinge, 102 x 32 mm

- Maximum load capacity **10 kg**
- Brass pins
- Suitable for bar and shop counters
- Sets flush into timber counter
- Brass

Finish	Cat. No.
Polished brass	926.95.208
Polished chrome	926.95.202
Satin chrome	926.95.204
Imitation antique bronze	926.95.201

Order qty: 1 pc



Polished brass finish shown

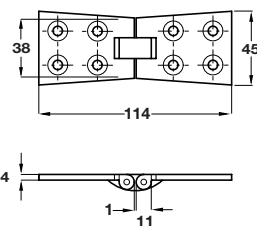


## C Brass counter flap hinge, 114 x 38 mm

- Maximum load capacity **10 kg**
- Brass pins
- Suitable for bar and shop counters
- Sets flush into timber counter
- Brass

Finish	Cat. No.
Polished brass	926.95.218
Polished chrome	926.95.212
Satin chrome	926.95.214
Imitation antique bronze	926.95.211

Order qty: 1 pc



Polished chrome finish shown

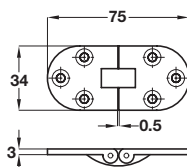


## D Brass counterflap hinge, 75 x 34 mm

- Maximum load capacity **5 kg**
- Radius ends
- Brass pins
- Suitable for bar and shop counters
- Sets flush into timber counter
- Brass

Finish	Cat. No.
Polished brass	926.86.038
Polished chrome	926.86.032
Satin chrome	926.86.034
Imitation antique bronze	926.86.031

Order qty: 1 pc



Polished brass finish shown

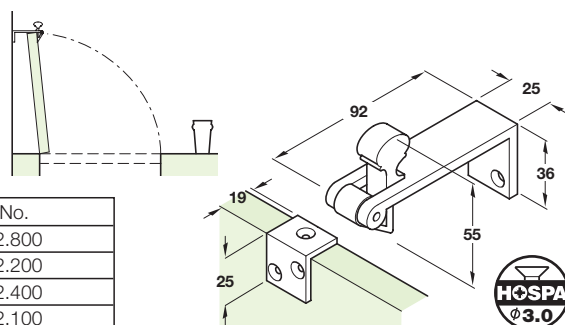


## E Brass counterflap catch

- For maximum flap thickness **50 mm**
- Brass, 4 mm thick

Finish	Cat. No.
Polished brass	521.32.800
Polished chrome	521.32.200
Satin chrome	521.32.400
Imitation antique bronze	521.32.100

Order qty: 1 pc



Polished brass finish shown



TCH-A1 2008, HUK. Dimensional data not binding. We reserve the right to alter specifications without notice.