

# Brass Butt Hinges Special Purpose

Regular lubrication required, unless marked 'maintenance free'.

Fixing screws are not included.

**Important:** The logo shown indicates the type and size of screw required, which must be ordered separately



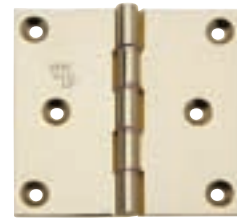
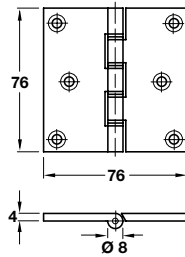
Refer to page 34 for fixing screw information.

## A Brass DPBW projection butt hinge

- Maximum adjusted door weight **20 kg**
- Double phosphor bronze washers and brass pin
- 8 mm Ø knuckle
- Fixing screws are not included
- Refer to clearance details shown below
- Brass

<b>Length x width</b>	<b>76 x 76 mm</b>
Max. clearance	<b>28 mm</b>
Self colour	921.08.601
Polished brass	921.08.600
Satin chrome	921.08.604

Order qty: 1 pc

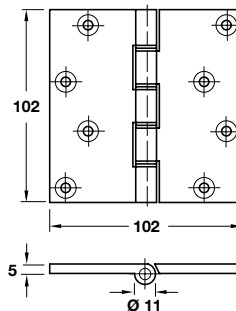


## B Brass DPBW projection butt hinge

- Maximum adjusted door weight **40 kg**
- Double phosphor bronze washers and brass pin
- 11 mm Ø knuckle
- Fixing screws are not included
- Refer to clearance details shown below
- Brass

<b>Length x width</b>	<b>102 x 102 mm</b>
Max. clearance	<b>44 mm</b>
Self colour	921.08.061
Polished brass	921.08.060
Satin chrome	921.08.064

Order qty: 1 pc

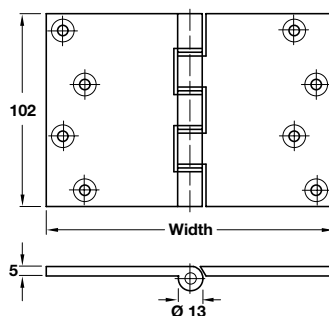


## C Brass DPBW projection butt hinge

- Maximum adjusted door weight **80 kg**
- Double phosphor bronze washers and brass pin
- 13 mm Ø knuckle
- Fixing screws are not included
- Refer to clearance details shown below
- Brass

<b>Length x width</b>	<b>102 x 127 mm</b>
Max. clearance	<b>67 mm</b>
Self colour	921.08.075
Polished brass	921.08.072
Satin chrome	921.08.078
<b>Length x width</b>	<b>102 x 152 mm</b>
Max. clearance	<b>82 mm</b>
Self colour	921.08.073
Polished brass	921.08.070
Satin chrome	921.08.076
<b>Length x width</b>	<b>102 x 203 mm</b>
Max. clearance	<b>114 mm</b>
Self colour	921.08.074
Polished brass	921.08.071
Satin chrome	921.08.077

Order qty: 1 pc



**Projection hinges** are drilled with holes towards the edge of a broad hinge leaf enabling the hinge to clear obstructions when fully open beyond 90°

Recommendations for installation are as follows:

It is recommended that the backset should not be less than 12 mm (14 if using an intumescent strip).

When a door is to be opened beyond 90° the **width of hinge** required can be calculated as follows:

Door thickness plus inset (normally 1/8" or 3.2 mm) less backset.

Double this and add clearance required.

