

Stainless Steel Butt Hinges

HI-LOAD Range

Hinges **A** and **B** have obtained Certifire approval. Maintenance free, 25 year performance guarantee. All fixings for timber included.

Projection hinges available in mild steel - refer to page 41

Projection hinge guide shown on page 4

Refer to pages 2-3 for information on BS EN 1935, hinge grades and classification.

HI-LOAD hinges product guide: page 17

BS EN 1935

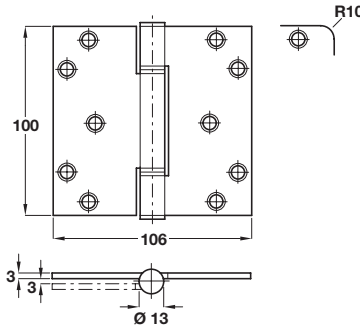


A Stainless steel hinge, 3 knuckle, projection, fixed pin

- Grade **13** BS EN1935
- Maximum adjusted door weight **120 kg**
- Minimum door thickness **44 mm**
- Maximum clearance **40 mm**
- Square and radius corners
- Maintenance free
- **25** year performance guarantee
- Certifire CF209 approved for fire doors
- Ø 5 x 30 mm wood screws included
- Grade 304 stainless steel

Length x width	100 x 106 mm	
Finish	Satin	Polished
Square corners	926.88.330	926.88.331
Radius corners	926.88.340	926.88.341

Order qty: 1 pc



Satin stainless steel finish shown
Square corners

3

BS EN 1935

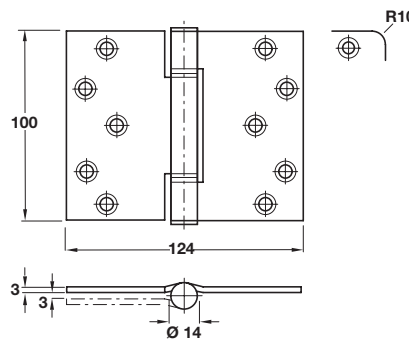


B Stainless steel hinge, 3 knuckle, projection, fixed pin

- Grade **13** BS EN1935
- Maximum adjusted door weight **120 kg**
- Minimum door thickness **44 mm**
- Maximum clearance **58 mm**
- Square and radius corners
- Maintenance free
- **25** year performance guarantee
- Certifire CF209 approved for fire doors
- Ø 5 x 30 mm wood screws included
- Grade 304 stainless steel

Length x width	100 x 124 mm	
Finish	Satin	Polished
Square corners	926.88.120	926.88.121
Radius corners	926.88.320	926.88.321

Order qty: 1 pc



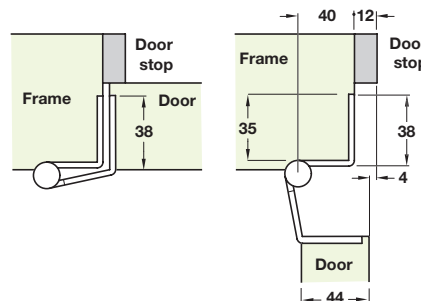
Satin stainless steel finish shown
Square corners

Swing clear hinges:

Purpose: To improve access through door openings by swinging clear, permitting wide objects such as hospital beds or wheelchairs to pass freely, preventing damage to door and or equipment.

Operation: The swing clear hinge, when opened by only 95°, will position the door outside the line of the door frame.

Also available in mild steel, shown on page 42

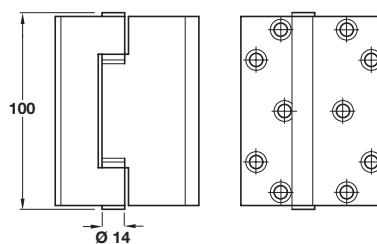


C Stainless steel hinge, swing clear, fixed pin

- Maximum adjusted door weight **80 kg**
- Minimum door thickness **44 mm**
- Square corners only
- Maintenance free
- **25** year performance guarantee
- M5 x 30 mm wood screws included
- Grade 304 stainless steel

Length x width	100 x 124 mm	
Finish	Satin	Polished
Square corners	926.88.160	926.88.161

Order qty: 1 pc



Satin stainless steel finish shown

TCH-A1 2008, HUK. Dimensional data not binding. We reserve the right to alter specifications without notice.