

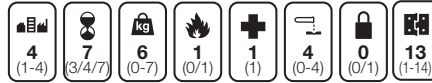
# Stainless Steel Butt Hinges Phoenix Range - Slimline

Hinge **A** has obtained Certifire approval.  
Regular lubrication required.  
Fixings for timber included.



Refer to pages 2-3 for information on BS EN 1935, hinge grades and classification

## BS EN 1935

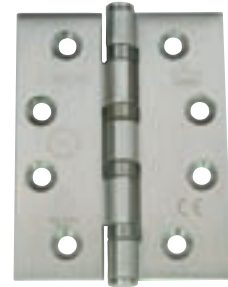
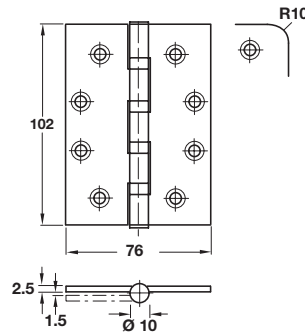


### A Slimline, stainless steel butt hinge

- ANSI hole pattern
- Grade **13** BS EN 1935
- Maximum adjusted door weight **120 kg**
- Minimum door thickness **35 mm**
- Square or radius corners
- Certifire approved; certificate no. CF351 30 mins
- Ø 5 x 30 mm wood screws included
- Grade 304 stainless steel

Length x width	102 x 76 mm	
Finish	Satin	Polished
Square corners	926.91.380	926.91.381
Radius corners	926.91.390	926.91.391

Order qty: 1 pc



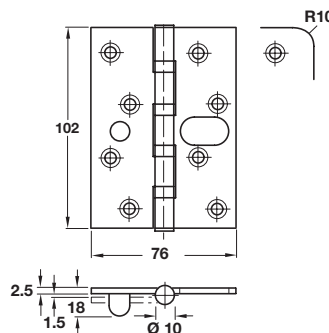
Satin stainless steel finish shown  
Square corners

### B Slimline, stainless steel, security butt hinge

- Staggered hole pattern
- Maximum adjusted door weight **120 kg**
- Minimum door thickness **35 mm**
- Square or radius corners
- Ø 5 x 30 mm wood screws included
- Grade 304 stainless steel

Length x width	102 x 76 mm	
Finish	Satin	Polished
Square corners	921.08.170	926.91.401
Radius corners	926.91.410	926.91.411

Order qty: 1 pc



Satin stainless steel finish shown  
Square corners

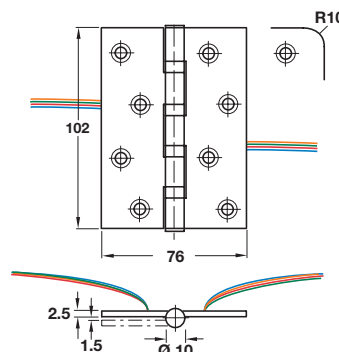
### C Slimline, stainless steel, conductor butt hinge

- Staggered hole pattern
- Non load bearing
- Minimum door thickness **35 mm**
- Four wire facility
- Low voltage, normally 24V @ 24 amps
- For use when power supply needs to be transferred from frame to door
- Non load bearing, for centre position only and to be used with outer pair of compatible hinges
- Square or radius corners
- Ø 5 x 30 mm wood screws included
- Grade 304 stainless steel

Length x width	102 x 76 mm	
Square corners	Satin	Polished
Clockwise closing	921.09.111	921.09.113
Anti-clockwise cl.	921.09.110	921.09.112
Radius corners	Satin	Polished
Clockwise closing	921.09.115	921.09.117
Anti-clockwise cl.	921.09.114	921.09.116

Order qty: 1 pc

Also available in **2, 8 or 12 wire**, subject to quantity.



Satin stainless steel finish shown  
Anti-clockwise closing shown  
Square corners