

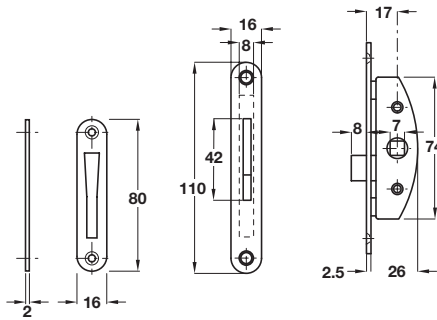
**Item A.**  
Text amended

**A Captive key mortice budget lock and escutcheon**

- **Operation:** 90° turn to unlock. Key cannot be removed until relocked
- **Lock body:** steel
- **Finish:** Steel
- **Forend:** Radius, 1 piece. Brass
- **2 x Strike plates:** Radius, flat. Included. Steel
- **Escutcheon:** Silver anodised aluminium
- Order key separately, see item B
- **2 x M5 screws included.** 4 x Ø 3.5 countersunk screws required - order separately

Cat. No.	970.15.609
----------	------------

Order qty: 1 pc



**Item A.**  
Photo amended to show steel finish

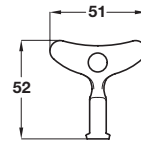


**B Captive key**

- For use with item A above
- Steel

Finish	Cat. No.
Galvanized	970.15.920

Order qty: 1 pc

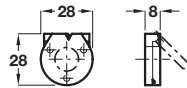


**C Budget lock escutcheon, with spring cover**

- For use with items A and B shown on page 96
- Surface mounted, screw fixing
- Zinc alloy

Finish	Cat. No.
Chrome plated	911.61.095

Order qty: 1 pc



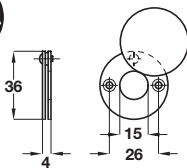
**Note:** These escutcheons C to F are not for use with budget lock shown above or lock D shown on page 97

**D Budget lock escutcheon, with swing cover**

- For use with items A and B shown on page 96
- Surface mounted, screw fixing
- Aluminium

Finish	Cat. No.
Silver anodised	970.15.910

Order qty: 1 pc



**E Budget lock access sleeve**

- For use with items A and B shown on page 96
- Semi recessed, push fit
- Nickel plated brass

Cat. No.	407.49.184
----------	------------

Order qty: 1 pc

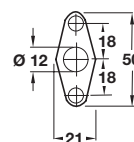


**F Budget lock escutcheon**

- For use with items A and B shown on page 96
- Surface mounted, screw fixing
- Bright zinc plated steel

Cat. No.	230.16.930
----------	------------

Order qty: 1 pc



22.06.10/2\*