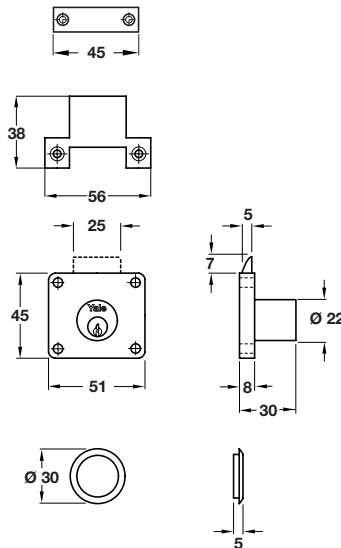


### A Straight cylinder drawer spring bolt rim lock

- For wooden or metal drawers
- **Operation:** Key operated cylinder outside. Slam shut
- **Bolt:** Sprung brass
- **Hand:** Non-handed
- **Cylinder:** Ø 22 mm. 20 mm max. material thickness
- **4 pin tumblers:** 1000 differs
- **Case:** Zinc alloy. Brass cylinder
- **Accessories:** 2 keys, cylinder rosette and strike plates

Keyed to differ	Drawer
Satin chrome plated cylinder	230.08.320
Polished brass cylinder	230.08.350

Order qty: 1 pc



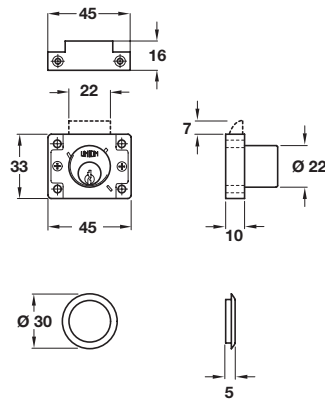
Not supplied master keyed

### B Straight cylinder till/cupboard spring bolt rim lock

- For wooden cupboards or tills
- **Operation:** Key operated cylinder outside. Slam shut
- **Bolt:** Sprung brass
- **Hand:** Non-handed. Left, right or drawer/till
- **Cylinder:** Ø 22 mm. 12.5 mm max. material thickness
- **4 pin tumblers:** excess of 500 differs
- **Case:** Zinc alloy. Brass cylinder
- **Accessories:** 2 keys, cylinder rosette

Keyed to differ	Left/Right/Till
Polished brass cylinder	230.09.120

Order qty: 1 pc



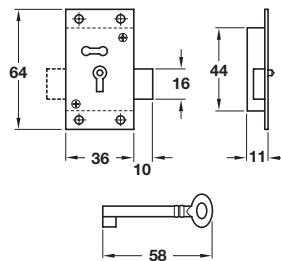
Not supplied master keyed

### C Straight cupboard rim lock

- For wooden cupboards
- **Operation:** Key operated outside
- **Bolt:** Dead, brass
- **Hand:** Non-handed. Left or right
- **Differs:** 12 differs
- **Levers:** 2 levers
- **Case:** Brass
- **Accessories:** 2 keys

Keyed to differ	Left/Right
Sanded brass	230.09.800
Keyed alike	
Sanded brass	230.09.801

Order qty: 1 pc



Order striking plate D separately

### D Strike plate

- Screw mounted
- Steel

Finish	Cat. No.
Nickel plated	239.05.704
Brass plated	239.05.508

Order qty: 1 pc

