

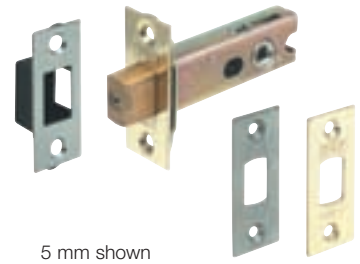


## A Tubular mortice deadbolt

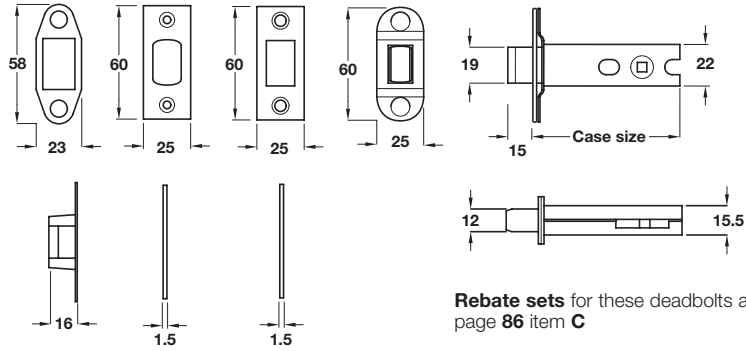
- **Operation:** Deadbolt operated by turn/emergency release or by key (see item **C**, 5 mm only)
- **Case:** Zinc passivated steel, 15.5 mm wide
- **Forend:** Square, 2 piece. Stainless steel and electro brassed steel
- **Strike plate:** Square, flat. Included. Stainless steel and electro brassed steel
- **Deadbolt:** Brass with hardened steel roller. 15 mm throw
- **Follower:** 5 or 8 mm. Zinc alloy. Easy turn
- Holed for bolt through furniture at **38 mm** centres
- **57, 82, 108 mm** backset
- Suitable for 30 and 60 minute fire rated doors
- Alternative forends and strike plates available, see item **B** below
- Fixing screws included
- For turn and release sets refer to **Section 1**

Backset	Case size	5 mm	8 mm
57 mm	76 mm	911.62.286	911.62.296
82 mm	103 mm	911.62.287	911.62.297
108 mm	127.5 mm	911.62.288	911.62.298

Order qty: 1 pc



5 mm shown



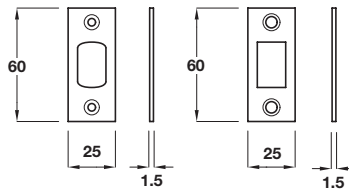
2

## B Forend and strike plate set

- **To suit:** Deadbolt item **A**
- Replace those supplied with deadbolt
- Fixing screws included
- Brass or stainless steel

Finish	Cat. No.
PVD brass	911.39.508
Polished stainless steel	911.39.509

Order qty: 1 pc

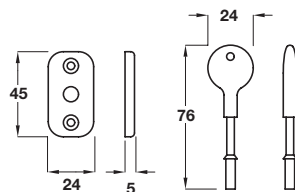


## C Security deadbolt conversion set

- Key and escutcheon
- Suits deadbolt with 5 mm follower
- Fixing screws included

Finish	Cat. No.
Satin chrome	911.22.389
Electro brass	911.22.408

Order qty: 1 pc



TCH-A1 2008, HUK. Dimensional data not binding. We reserve the right to alter specifications without notice.