



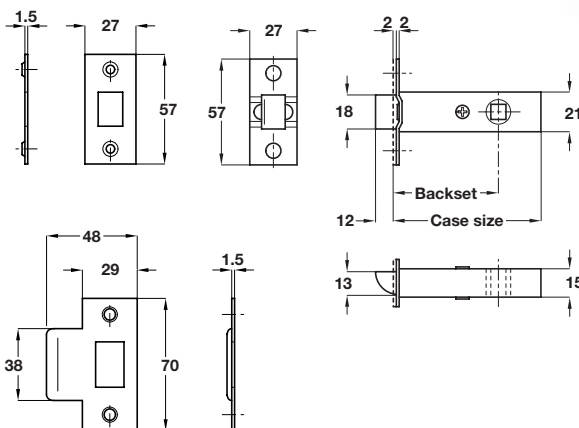
A Tubular mortice latch, heavy duty

- **Operation:** Latchbolt operated by lever handles
- **Case:** Epoxy polyester coated steel, 15 mm wide
- **Forend:** Square, 2 piece. Stainless steel or brass
- **Strike plate:** Square, flat. Included. Stainless steel or brass
- **Latchbolt:** Brass
- **Follower:** 8 mm chrome plated. Two way action. For use with **unsprung** furniture
- **60, 75, 100 or 130 mm** backset
- Fixing screws included

Item A.
Catalogue shows...
'case size 127 mm'
Correct description is:
'case size 123 mm'



Backset 60 mm, case size 80 mm	
Finish	Cat. No.
Stainless steel	911.03.310
Satin brass	911.03.311
Backset 75 mm, case size 102 mm	
Finish	Cat. No.
Stainless steel	911.03.312
Satin brass	911.03.313
Backset 100 mm, case size 123 mm	
Finish	Cat. No.
Stainless steel	911.03.314
Satin brass	911.03.315
Backset 130 mm, case size 152 mm	
Finish	Cat. No.
Stainless steel	911.03.316
Satin brass	911.03.317



Order qty: 1 pc

B Heavy duty rebate set

- **To suit:** Heavy duty tubular mortice latch, item A
- 13 mm size
- Fixing screws included
- Mild steel/aluminium

Finish	Cat. No.
Silver anodised	911.03.320
Gold anodised	911.03.319

Order qty: 1 pc

