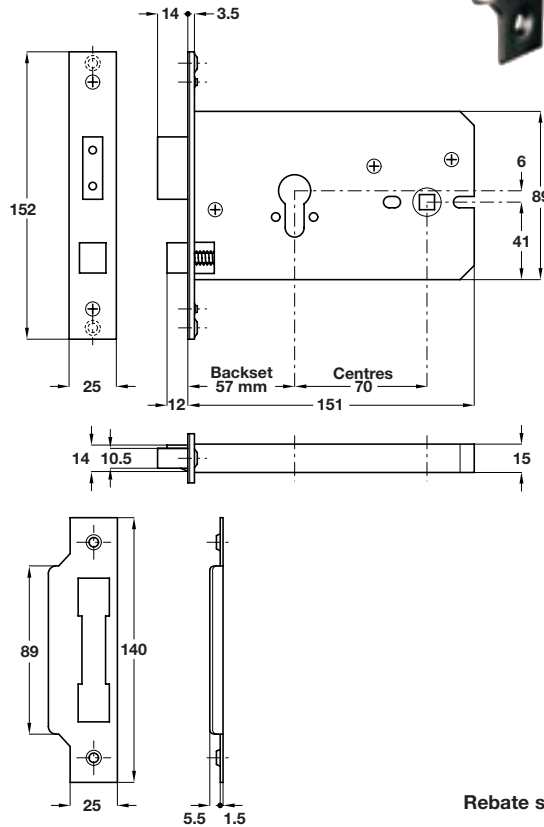




A Horizontal mortice cylinder sashlock case

- **Operation:** Latchbolt operated by knob furniture. Deadbolt operated by cylinder
- **Case:** Epoxy powder coated steel, 15 mm wide
- **Forend:** Square, 2 piece. Stainless steel or brass
- **Strike plate:** Square, flat. Included. Stainless steel or brass
- **Latchbolt:** Brass. Reversible
- **Deadbolt:** Brass with hardened steel rollers. 14 mm throw
- **Follower:** 8 mm brass, two way action. For use with **unsprung** furniture
- **Cylinder:** Profile, all types
- Holed for bolt through furniture at **38 mm** centres
- **57 mm** backset, **70mm** centres
- Fixing screws included
- **Order cylinders separately;** see pages 40-50
- For knobs and escutcheons refer to **Section 1**



Finish	Cat. No.
Satin brass	911.03.293
Stainless steel	911.03.292

Order qty: 1 pc

Rebate sets for these locks are shown below

TCH-A1 2008, HUK. Dimensional data not binding. We reserve the right to alter specifications without notice.

B Horizontal mortice lock rebate set

- **To suit:** All horizontal lock cases, shown on pages 82-83
- 13 mm size
- Fixing screws included
- Aluminium

Finish	Cat. No.
Silver anodised	911.03.296
Gold anodised	911.39.470

Order qty: 1 pc

