

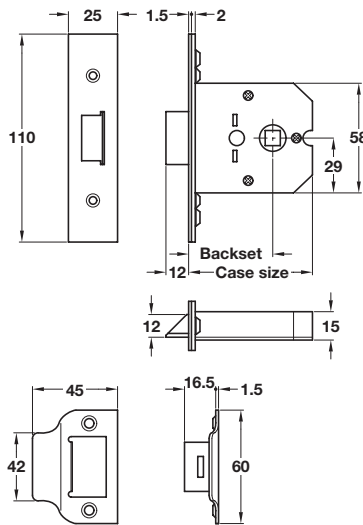


A Mortice box latch

- **Operation:** Latchbolt operated by lever handles
- **Case:** Mild steel, hammered paint finish, 15 mm wide
- **Forend:** Square, 2 piece. Plated steel
- **Strike plate:** Square, flat. Included. Plated steel
- **Latchbolt:** Brass. Self handing
- **Follower:** 8 mm. For use with **sprung** furniture
- Holed for bolt through furniture at **38 mm** centres
- **44, 57 or 82 mm** backset
- Fixing screws included
- For lever handles refer to **Section 1**

Finish	Cat. No.
Backset 44 mm, case size 64 mm	
Satin chrome	911.23.380
Electro-brassed	911.23.381
Backset 57 mm, case size 76 mm	
Satin chrome	911.23.382
Electro-brassed	911.23.383
Backset 82 mm, case size 102 mm	
Satin chrome	911.23.384
Electro-brassed	911.23.385

Order qty: 1 pc



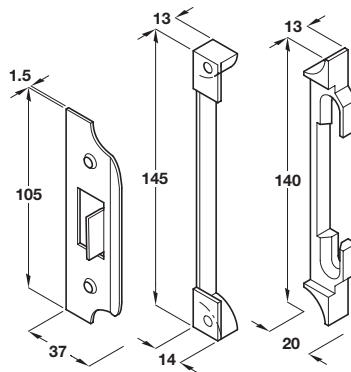
Rebate sets for these locks are shown below, item B

B Box latch rebate set

- **To suit:** Mortice box latch, item A
- 13 mm size only
- Fixing screws included
- Brass

Finish	Cat. No.
Satin chrome	911.39.248
Electro-brassed	911.39.249

Order qty: 1 pc

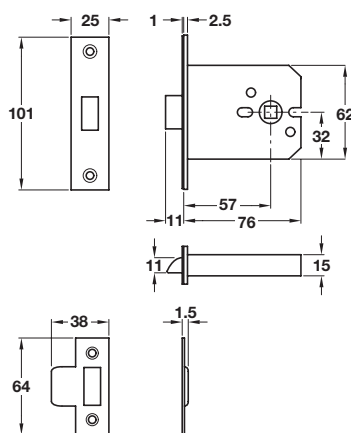


C Mortice box latch

- **Operation:** Latchbolt operated by lever handles
- **Case:** Mild steel, epoxy powder coated, 15 mm wide
- **Forend:** Square, 2 piece. Stainless steel or brass
- **Strike plate:** Square, flat. Included. Stainless steel or brass
- **Latchbolt:** Brass. Self handing
- **Follower:** 8 mm brass. For use with **unsprung** furniture
- Holed for bolt through furniture at **38 mm** centres
- **57 mm** backset
- Fixing screws included
- For lever handles refer to **Section 1**

Finish	Cat. No.
Stainless steel	911.23.264
Satin brass	911.23.265

Order qty: 1 pc



Rebate sets for these locks are shown below, item D

D Box latch rebate set

- **To suit:** Mortice box latch, item C
- 13 and 25 mm sizes
- Fixing screws included
- Aluminium

Finish	13 mm	25 mm
Silver anodised	911.39.252	911.39.254
Gold anodised	911.39.253	911.39.255

Order qty: 1 pc

