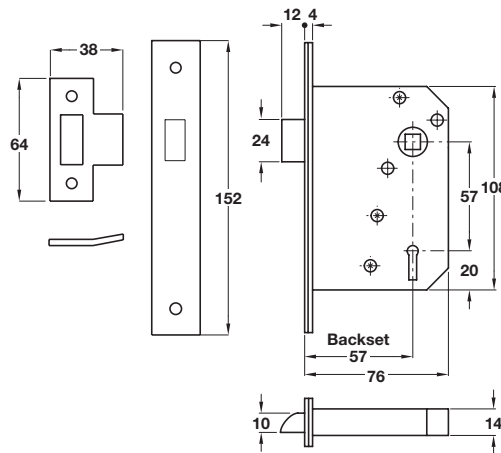




A Modular mortice 3 lever night latch

- **Operation:** Latchbolt, to spring only. Operated by lever handle inside, key outside
- **Case:** Modular epoxy polyester powder coated steel, 14 mm wide
- **Forend:** Square, 2 piece. Stainless steel or brass
- **Strike plate:** Square, flat. Included. Stainless steel or brass
- **Latchbolt:** Brass, handed
- **Follower:** 8 mm brass. For use with **sprung** furniture
- **Differs:** 100 differs
- **Keys:** 2 keys included
- To differ only
- Holed for bolt through furniture at **38 mm** centres diagonally
- **57 mm** backset
- Fixing screws included
- For lever handles and escutcheons refer to **Section 1**



Right hand (clockwise closing) illustrated (5.0/5.1)

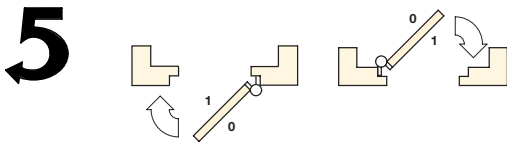


Closing direction:	Anti-clockwise	Clockwise
Finish	Left hand	Right hand
Satin stainless steel	911.23.194	911.23.202
Satin brass	911.23.195	911.23.203

Order qty: 1 pc

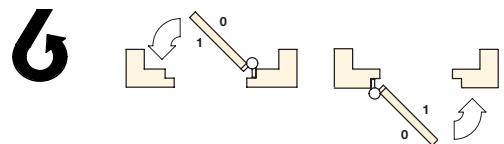
Rebate sets for these locks are shown below

5.0 - Clockwise closing/Opening face 5.1 - Clockwise closing/Closing face



ISO 5.0 = Clockwise closing doors / opening face

6.0 - Anti-clockwise closing/Opening face 6.1 - Anti-clockwise closing/Closing face



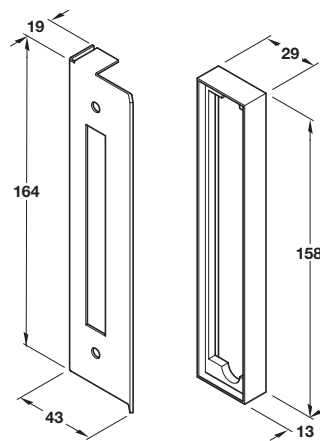
ISO 6.0 = Anti-clockwise closing doors / opening face

B Modular rebate set, 13 mm

- **To suit:** All modular mortice lever locks and latches shown on pages **66-71**
- 13 mm size
- Fixing screws included
- Steel

Finish	Cat. No.
Silver anodised	911.39.476
Gold anodised	911.39.477

Order qty: 1 pc

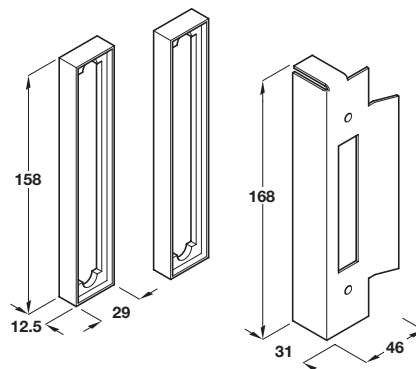


C Modular rebate set, 25 mm

- **To suit:** All modular mortice lever locks and latches shown on pages **66-71**
- 25 mm size
- Fixing screws included
- Steel

Finish	Cat. No.
Silver anodised	911.39.478
Gold anodised	911.39.479

Order qty: 1 pc



TCH-A1 2008, HUK. Dimensional data not binding. We reserve the right to alter specifications without notice.