

Tested and approved to BS EN 179

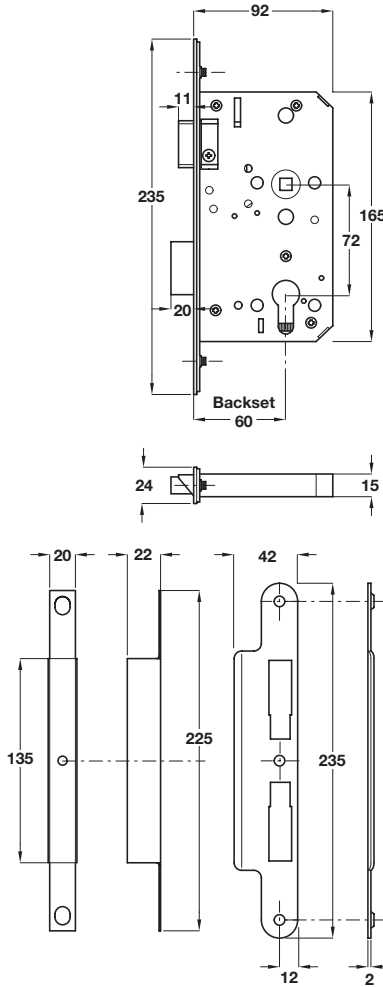


A Mortice cylinder escape lock case

- **Operation:** Latchbolt and deadbolt operated by lever handle inside and deadbolt by cylinder
- **Case:** Galvanized steel, 16 mm wide
- **Forend:** Radius, 2 piece. Stainless steel or brass
- **Strike plate:** Radius. Box included. Stainless steel or brass
- **Latchbolt:** Solid brass, bright zinc plated. Easily reversible. Anti-thrust deadlocks
- **Deadbolt:** Solid brass. Bright zinc plated. 20 mm throw
- **Follower:** Through 8 mm brass. Hold-tite spindle spring. For use with **unsprung** furniture
- Holed for bolt through furniture at **38 mm** centres
- Only requires a lever depression of approx. **25°** to fully retract latchbolt
- **60 mm** backset
- Fixing screws included
- 80 and 100 mm backset versions available to order, subject to quantity
- **Order cylinders separately;** see pages 40-50
- Requires half spindle to operate; see **Section 1**
- For lever handles information available on request
- For escutcheons refer to **Section 1**

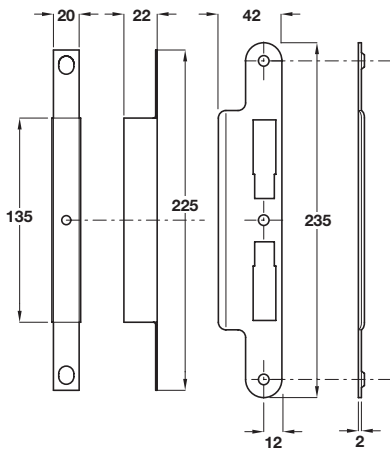
Finish	Cat. No.
Satin stainless steel	911.52.072
Polished brass	911.52.073

Order qty: 1 pc



2

Rebate sets for these locks are shown on page 8

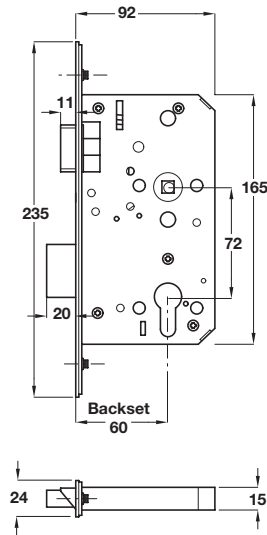


B Split follower version

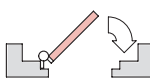
- Handed. For handing details see right.
- Requires split spindle 909.83.711 to operate, refer to **Section 1**, page 63 for details
- For lever handles refer to **Section 1**

Finish	Hand	Cat. No.
Satin stainless steel	RH O/I	911.54.041
Polished brass	RH O/I	911.54.043
Satin stainless steel	LH O/I	911.54.040
Polished brass	LH O/I	911.54.042
Satin stainless steel	LH O/O	911.54.045
Polished brass	LH O/O	911.54.047
Satin stainless steel	RH O/O	911.54.044
Polished brass	RH O/O	911.54.046

Order qty: 1 pc



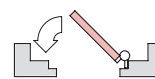
Escape side



Outside

Right hand - Open in

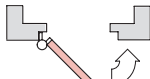
Escape side



Outside

Left hand - Open in

Escape side



Outside

Left hand - Open out

Escape side



Outside

Right hand - Open out