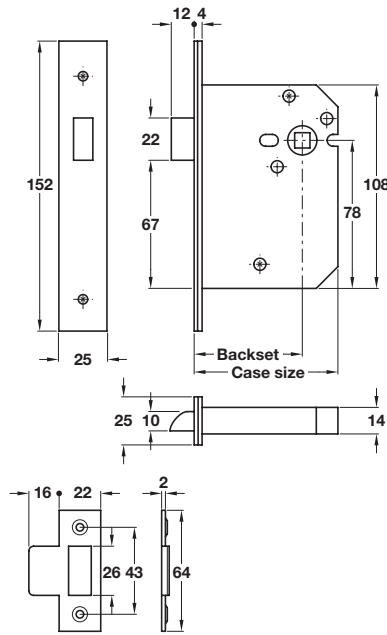




### A Modular mortice latch

- **Operation:** Latchbolt operated by lever handles
- **Case:** Modular epoxy polyester powder coated steel, 14 mm wide
- **Forend:** Square, 2 piece. Stainless steel or brass
- **Strike plate:** Square, flat. Included. Stainless steel or brass
- **Latchbolt:** Brass. Reversible
- **Followers:** 8 mm brass. For use with **sprung** furniture (standard follower) or for use with **unsprung** furniture (heavy duty follower)
- Holed for bolt through furniture at **38 mm** centres - 76 mm case size only
- **45 or 57 mm** backset
- Fixing screws included
- For lever handles refer to **Section 1**



Rebate sets for these locks are shown on page 71

	Standard	Heavy duty
<b>Backset 45 mm, case size 63 mm</b>		
Finish	Cat. No.	Cat. No.
Satin stainless steel	911.23.198	911.23.146
Satin brass	911.23.199	911.23.147
<b>Backset 57 mm, case size 76 mm</b>		
Finish	Cat. No.	Cat. No.
Satin stainless steel	911.23.200	911.23.148
Satin brass	911.23.201	911.23.149

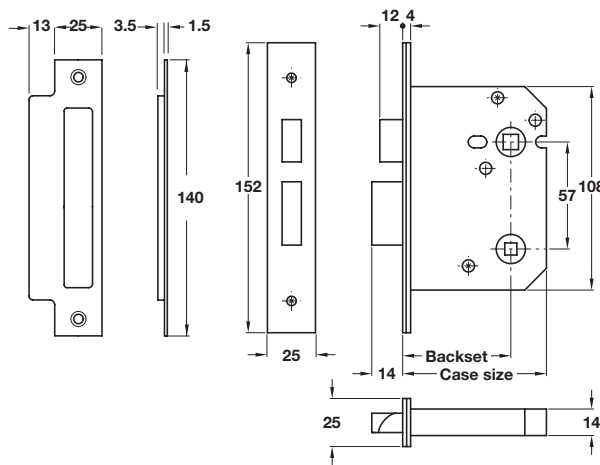
Order qty: 1 pc



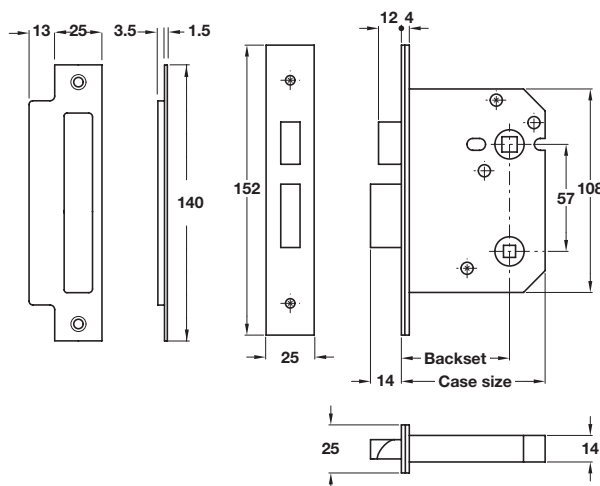
### B Modular mortice bathroom lock

- **Operation:** Latchbolt operated by lever handles. Deadbolt operated by turn
- **Case:** Modular epoxy polyester powder coated steel, 14 mm wide
- **Forend:** Square, 2 piece. Stainless steel or brass
- **Strike plate:** Square, flat. Included. Stainless steel or brass
- **Latchbolt:** Brass. Reversible
- **Deadbolt:** Brass, **14 mm** throw
- **Followers:** Latchbolt - 8 mm brass, for use with **sprung** furniture. Deadbolt - 5 mm and 8 mm brass, for use with **sprung** furniture (standard follower) or for use with **unsprung** furniture (heavy duty follower)
- Holed for bolt through furniture at **38 mm** centres - 76 mm case size only
- **45 or 57 mm** backset
- Fixing screws included
- For lever handles and turn and release sets refer to **Section 1**

Followers sizes 8 + 5 mm



Followers sizes 8 + 8 mm



Rebate sets for these locks are shown on page 71

	Standard	Heavy duty
<b>Followers size 8 + 5 mm</b>		
<b>Backset 45 mm, case size 63 mm</b>		
Finish	Cat. No.	Cat. No.
Satin stainless steel	911.03.472	911.03.710
Satin brass	911.03.473	911.03.711
<b>Backset 57 mm, case size 76 mm</b>		
Finish	Cat. No.	Cat. No.
Satin stainless steel	911.03.357	911.03.712
Satin brass	911.03.358	911.03.713
<b>Followers size 8 + 8 mm</b>		
<b>Backset 45 mm, case size 63 mm</b>		
Finish	Cat. No.	Cat. No.
Satin stainless steel	911.03.520	911.03.715
Satin brass	911.03.521	911.03.716
<b>Backset 57 mm, case size 76 mm</b>		
Finish	Cat. No.	Cat. No.
Satin stainless steel	911.03.522	911.03.717
Satin brass	911.03.523	911.03.718

Order qty: 1 pc

TCH-A1 2008, HUK. Dimensional data not binding. We reserve the right to alter specifications without notice.